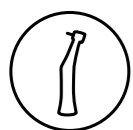


Dental Excellence in every area



Practice equipment

KaVo treatment units, operating lights, dentists' chairs, patient communication systems and other accessories for the dental practice



Instruments

Dental straight and contra-angle handpieces, turbines, air polishing systems and small equipment for all application areas including diagnosis, prophylaxis, restorative, surgery, endodontics and instrument care

The products, equipment and services shown and described in this catalogue are not available in all countries. All information corresponds to the knowledge available at the time of printing. KaVo Dental GmbH assumes no responsibility for discrepancies in the colour and shape of the images, or for errors or misprints, and reserves the right to make changes to the brochures at any time. Reprinting, even in part, is only authorised with the approval of KaVo Dental GmbH.

KaVo practice equipment

DENTAL
EX
CELLENCE



Contents

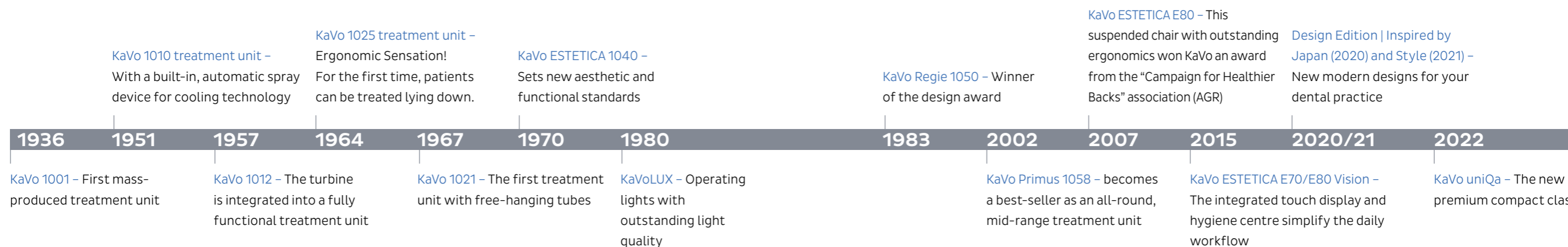
04	Dental Excellence	
	KaVo Highlights	04
	From experts, for experts	06
	Made in Biberach	08
10	Dental units	
	KaVo Portfolio	12
	KaVo ESTETICA E80 Vision	14
	KaVo ESTETICA E70 Vision	18
	KaVo uniQa	20
	KaVo ESTETICA E50 Life	22
	KaVo Primus 1058 Life	24
	KaVo ESTETICA E30	26
28	Inside the Dental Practice	
42	Hygiene	
48	Fun Facts & Figures	
50	Ergonomics	
58	Accessories	
	Instruments	59
	KaVo PHYSIO dentist's chair	60
	Patient communication	62
	Lights	70
	Centro	71
	Upholstery	72
	Design Edition	74
	Configurations	82
	Floor plans	85
90	Service	
	Register	96

The products, equipment and services shown and described in this catalogue are not available in all countries. All information corresponds to the knowledge available at the time of printing.



KaVo Highlights Dental Excellence for over 110 Years.

With a large number of patents and utility models, KaVo is constantly keeping its promise of “Dental Excellence”. Our innovations have helped us to set new standards and we continue to work on exceeding your expectations.

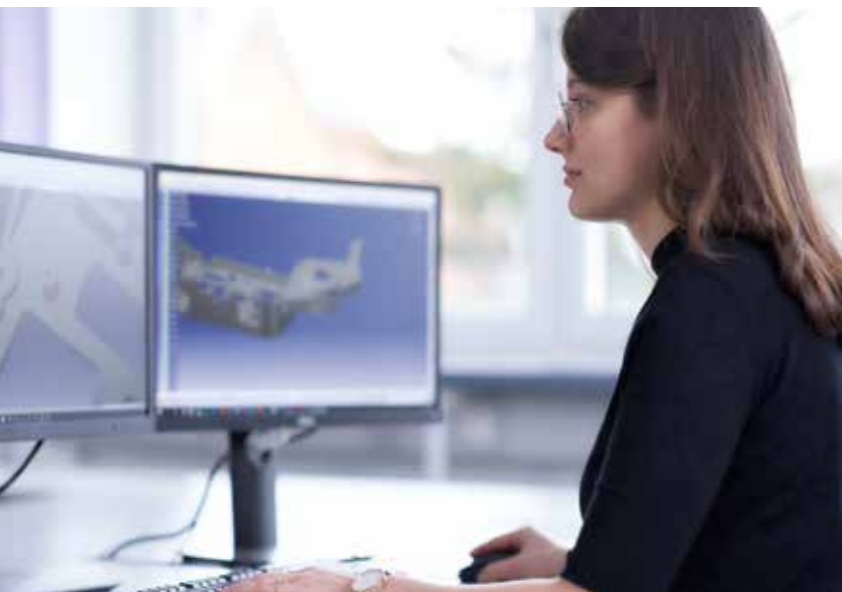


FROM EXPERTS, FOR EXPERTS

KaVo dental units are made from the best materials and based on your needs.

But it all starts with your needs.

The development of a KaVo dental unit usually begins in dental practices like yours: During countless technical discussions all around the globe, we bring your needs and suggestions to the drawing board and use them to determine performance characteristics for new KaVo dental units. Even more comfort, intuitive usability, simpler hygiene processes: Your ideas become our product developers' objectives.



218 kg

of metal is used in an average E80 Vision unit

It takes more than

3,300

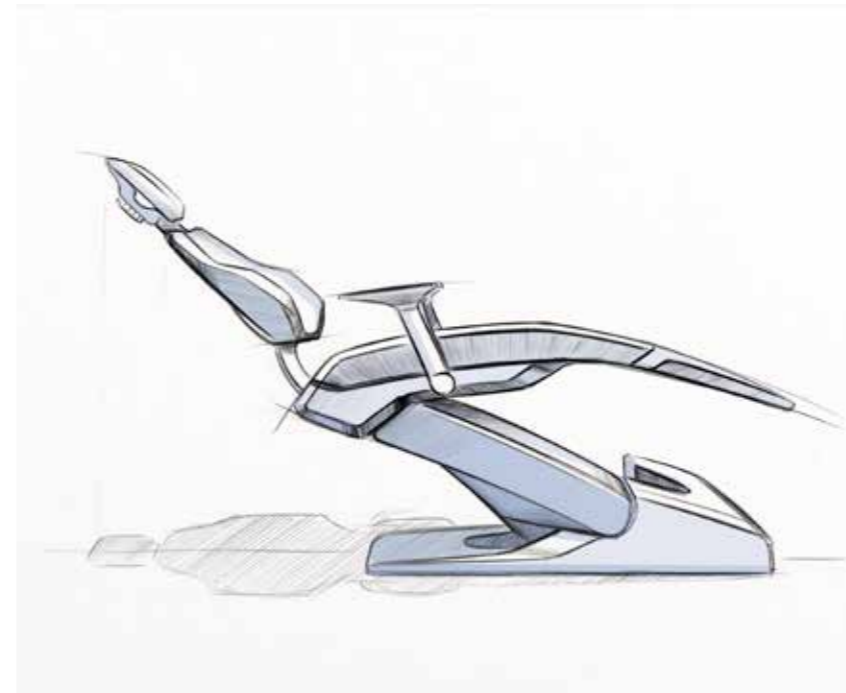
individual components to assemble a dental unit.

The future is: Made in Biberach.

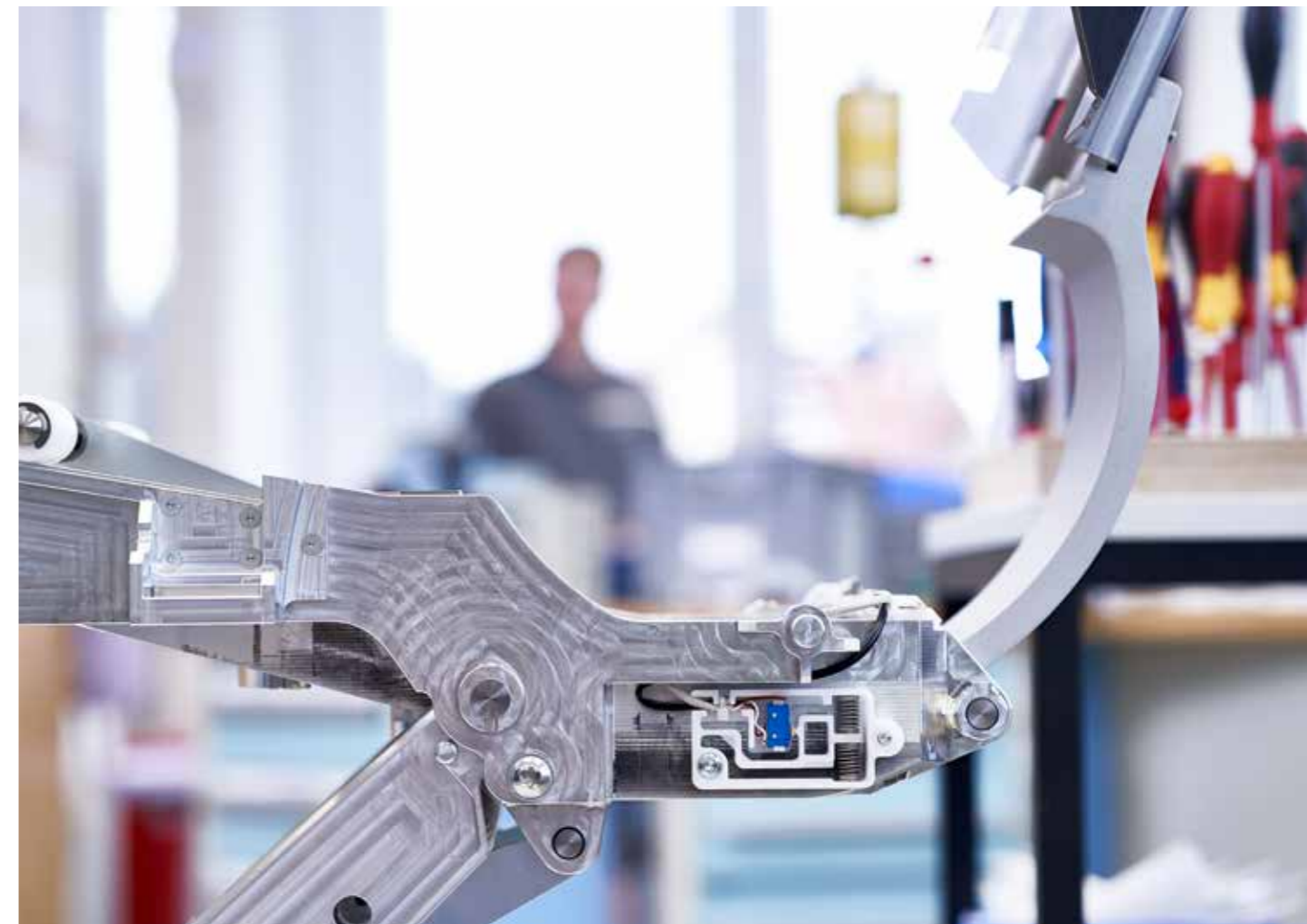
To ensure that new KaVo products meet the highest requirements, our innovations are always created through teamwork: specialists from design, construction, development, marketing and sales work together throughout the entire product development process. The initial drawings are converted to 3D data; the first styrofoam models become final prototypes.

Tested in Biberach, proven in practice.

Since KaVo dental units are designed to last, they are subjected to numerous demanding tests before being sent into production. Does the sample design meet all of the defined criteria?



Does the functional model, which consists largely of 3D-printed parts, meet the ergonomic requirements, the desired handling needs and the approved design? Then the prototype has to prove its function: Are the statics, the mechanical safety and the electromagnetic compatibility all on point, and does the model pass the electrical safety, load and endurance tests? The first tools for batch production are not created until everyone is satisfied. Every single production component must then pass various tests before the product can be sent for the final practical tests. As soon as any questions are resolved regarding the quality and function of the treatment centre, the pre-production tests are completed and the product can be launched to market.



MADE IN BIBERACH

All made by hand!
The quality of KaVo feels right.

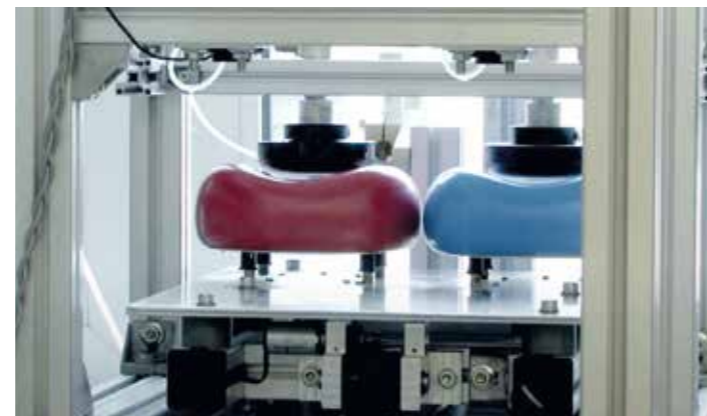


While other providers might be headquartered in Germany, their production was outsourced long ago. KaVo meanwhile remains true to the „Made in Germany“ quality promise. All KaVo dental units are developed and assembled in Biberach. We devote over 50 hours to the production of a KaVo ESTETICA E70/E80 Vision and some aspects are still done by hand. There are no robots used in our in-house paint shop and the functional tests carried out on each device are completed 100% by hand.



OVER 1,600

employees worldwide ensure high product quality, best-practice customer service and maximum customer satisfaction.



252

upholstery options are manufactured in Biberach.



More than
52,000

the amount of times the Primus 1058 has been produced and sold.

Precision in detail.

And to really maintain these high standards throughout the entire chain, we even manufacture the upholstery in-house.

Quality that pays off.

To be fully ensured of our precision finishing, each and every unit, without exception, is subjected to a comprehensive inspection before it is shipped. This prevents any costly downtime for you and safeguards the performance of your dental unit in the long term.

DENTAL UNITS

YOUR NEEDS,
OUR INSPIRATION

KaVo PORTFOLIO

KAVO

KaVo ESTETICA E30

KaVo Primus 1058 Life

KaVo ESTETICA E50 Life

KaVo uniQa

KaVo ESTETICA E70 Vision

KaVo ESTETICA E80 Vision



Instructional videos about the KaVo dental units for dentists & teams
<https://www.kavo.com/en/instruction>

KaVo ESTETICA E80 Vision



It all started with an idea, a vision. With your suggestions in mind, we managed to implement exactly what you needed: easier operation, smooth workflows, modern patient communication, access to patient data and automated hygiene practices. You asked us to keep what worked. Now it has become your vision: a concept that makes your work day easier.

- Ergonomic suspended chair concept that can be lowered to 350 mm or raised to 900 mm, and a narrow backrest for essential legroom, with a weight capacity of up to 180 kg
- Award-winning touch display with a cleverly-conceived operating concept for direct access to all important features
- Convenient parameter storage (MEMOdent function) with foot control centering
- Wireless premium foot control available
- Hygiene centre with integrated, removable adaptors for instrument and suction tubes that saves time and automates cleaning and disinfection processes
- Optionally integrated endodontic and surgical function
- Motorised chair lift for unrivalled patient comfort
- Motorised horizontal shift to make your work easier
- Six instrument holders
- Motorised swivelling cuspidor
- Table or cart variant

Simple. Easy to understand. Hygienic.
The dentist's display, with an innovative user
interface and a high-quality glass surface.



Just follow your intuition.

A simple touch. With the sensitive touch display, you control your KaVo ESTETICA E70/E80 Vision more intuitively than ever before! With the touch display and its intuitive operating logic, you can access all important functions and information quickly and easily: Before, during and after the treatment. The design of the user interface was developed to complement the dental workflow. It is designed with an easy-to-understand, logical structure and guarantees simple orientation at all times.



GERMAN
DESIGN
AWARD
NOMINEE
2017



reddot award 2015
winner interface design

The user interface has won the German Design Award,
the Red Dot Award and the Good Design Award.



Learn more about the intuitive user interface:
<http://static.kavo.com/kavo-vision-click-en>



KaVo ESTETICA E70 Vision

Here, too, the most intelligent technology, the most individual functions and the most efficient work processes are combined in a comfortable dental unit.

- Ergonomic suspended chair concept that can be lowered to 350 mm or raised to 900 mm, and a narrow backrest for essential legroom, with a weight capacity of up to 180 kg
- Award-winning touch display with a well thought-out operating concept for direct access to all important features
- Convenient parameter storage (MEMOdent function) with foot control centering
- Wireless premium foot control available.
- Hygiene centre with integrated, removable adaptors for instrument and suction tubes that saves time and automates cleaning and disinfection processes
- Optional endodontic and surgical function
- Five or (optionally) six integrated instrument holders
- Optionally, a motorised swivelling cuspidor
- Table, swing arm or cart variant

NEW



KaVo
uniQa

The new KaVo uniQa satisfies all your requirements – from both a technical and an emotional standpoint. Intelligent features plus KaVo's signature precision and overall high quality support successful everyday treatments in the long term. At the same time the KaVo uniQa leaves enough space for the individual expression of its owner and underlines the dentist's incomparable personality. KaVo uniQa – when dental excellence becomes unique.

- Modern, inspiring, compact chair design for maximum ergonomics and patient weight up to 185 kg
- Maximum position of 830 mm and minimum position of 350 mm
- Clear lines via the curved segment and armrests on the side for easy entry and exit
- Intuitive operating concept with quick and direct access to all important functions for time-saving and seamless treatment processes
- Four table versions: from the compact TM, S table and cart variants, which are also suitable for left-handed users, to the even more elegant and ergonomic T-table for right-handed users
- KaVo DIAGNOcam Vision Full HD: 3-in-1 intraoral camera for perfected caries diagnosis in full HD
- Interactive patient communication: images displayed on high-resolution screens, optionally integrated data interfaces for easy access to patient data via CONEXIO or self-sufficient operation entirely without additional software via CONNECTbase.
- Convenient hygiene procedures: integrated rinsing programmes, DEKAmat and OXYmat as well as the hygiene unit with an integrated, removable adaptor for instrument and suction hoses for time-saving, automated cleaning and disinfection
- Optionally integrated endodontic and surgical functions: three different modes for file control and an expandable file database as well as a small, lightweight surgical motor plus integrated saline pump.
- Maximum treatment comfort with KaVoLUX 540 LED thanks to natural light and a uniform light field



KaVo ESTETICA E50 Life

Your lifestyle bears your signature; carry it forward in your practice. Focus on the areas that are important to you and enjoy the support of a high-quality dental unit that optimally supports your work. The KaVo ESTETICA E50 Life: Easy to handle. Easy to upgrade. Simply reliable.

- Modern patient chair for excellent ergonomics and treatment comfort
- Slimline chair design, weight capacity of up to 185 kg, integrated Trendelenburg movement
- Adjustable height of the patient chair (Lowest position: 350 mm, Highest position: 830 mm)
- COMPACTchair (optional) for the easy entry and exit of older and patients with reduced mobility
- Dentist element with integrated display and selection buttons
- Five or (optionally) six integrated instrument holders
- Convenient parameter storage (MEMOdent function) with foot control centering
- Wireless premium foot control available
- Optional endodontic function
- Table or swing arm variant
- Available as a right or left-handed unit

The ESTETICA E50 Life described in this catalogue may not be available in all countries.

KaVo Primus 1058 Life



Reliable, day after day.

With the Primus 1058 Life, great importance was assigned to stability and functional reliability. You'll appreciate the value of your investment - today and tomorrow. Take advantage of optimum price-performance ratio and join the thousands of dentists worldwide who have this to say about their Primus 1058: "It runs and runs and runs."

- Modern patient chair for excellent ergonomics
- Slimline chair design, weight capacity of up to 185 kg, integrated Trendelenburg movement
- Adjustable height of the patient chair (Lowest position: 350 mm, Highest position: 830 mm)
- COMPACTchair (optional) for the easy entry and exit of older and more immobile patients
- Dentist element with integrated display and selection buttons
- Five integrated instrument holders
- Table, swing arm or cart variant
- Available as a right or left-handed unit



KaVo ESTETICA E30

Are you looking for an easy-to-use dental chair that offers you quality, reliability and efficiency? Here it is: The KaVo ESTETICA E30 combines convenience and efficiency as part of your daily workload. Clever technology and integrated service functions ensure cost-efficient operation. We call it the essence of Dental Excellence at affordable entry-level pricing. You will simply think: I love it!

- Proven KaVo technology and simple operating concept
- Streamlined chair design
- Ergonomic soft upholstery form
- Max. patient weight up to 180 kg
- Lowest position of 350 mm, highest position of 830 mm
- Individually configurable to match your needs
- Ambidextrous treatment unit (optional)
- KaVo ERGOcam One*, the easy-to-use intraoral camera
- High-resolution screen: KaVo Screen One 19"
- CONEXIO combines patient management software, a 2D X-ray archive and intraoral live images in a unique operating philosophy.

** Product not shown in image*

INSIDE THE DENTAL PRACTICE

KaVo DENTAL
PRACTICES IN
THEIR BEST LIGHT



MODERN MEDICINE IN PRISTINE SPACES



The Schaefer dental practice in Saarbrücken is already on its second generation of practitioners dedicated to giving patients a healthy and beautiful smile. After several years of successful practice in the original space, Malte Schaefer redesigned the space in 2017 based on his own ideas: it should be modern, clearly structured and high quality. It made sense for all of the treatment rooms to share an identical design, with a uniform lighting concept that supports optimal work conditions with cabinetry and

Smooth surfaces, concrete and glass create professional clarity. The uniform design language with rounded elements creates comfort.



The KaVo ESTETICA E80 Vision was initially conceived in the warehouse. Optics, function and quality were identified as crucial factors. Now it's become a centrepiece, impressing staff and patients alike with—among other things—its quiet operation and speed, and the freedom of movement that it offers the practitioner.



PRACTITIONER:
Malte Schaefer
www.zahnarztpraxis-schaefer.de

RANGE OF SERVICES:
Implantology (navigated implantology), laser dentistry, aesthetic dentistry, patients with anxiety, reconstruction with functional measurement

PRACTICE:
4 dental assistants | 5 treatment rooms | In existence since 1986, remodelled in 2017

worksurfaces made of Corian: a highly durable and sustainably-produced mineral material that is both very hygienic and low maintenance.

A personal mix of purity and nature.

The new practice not only radiates in a symbolic shade of white, a colour that conveys values such as cleanliness, purity and truth, but it also impresses patients with its feel-good atmosphere. "Hygiene and professionalism were particularly important to me during the planning, but so was my personal design style. I planned the space in such a way that I would feel comfortable myself," says Malte Schaefer. The large moss piece of artwork, which is on the way to the treatment rooms, enhances this concept. It provides a striking contrast against the smooth, white surfaces and the cool grey hues. "The picture is like an art object, it looks like a small forest in which you are constantly discovering new details and perspectives."



GET INSPIRED*: PRISTINE PURITY

This practice impresses patients with its simplicity. Lots of smooth, white surfaces combine with the coolness of concrete - yet the overall feel is far from cold. Warmth is created by the round shapes, the relationship to nature in the form of the moss picture and, of course, ultimately by the team.



FIBULE - Modern white chair



SPHERE - Floor lamp made of chromed metal and plastic



TWIGGY - Side table with three drawers made of poplar wood, glossy white

* The collage shown here is not part of the interior design draft shown in the practice portrait. It is only used for inspiration. Most of the practice's furniture was made to measure. The furniture shown on this page can be found at www.maisonsdumonde.com.

COMPREHENSIVE AESTHETICS

PRACTICE:
Zahnzentrum Nord | Lukas zum Broock (Sole owner, Managing Director and Dental Director of the MVZ Zahnzentrum Nord GmbH), with a team of five on-staff dentists | www.zahnzentrum-nord.de

RANGE OF SERVICES:
 The full spectrum of modern dentistry (aesthetics, orthodontics, digital dentistry, oral surgery, implantology) with a digital CAD/CAM technology laboratory.

PRACTICE:
 650 m² | 52 dental assistants | 8 treatment rooms |
 In existence since 2018



Lukas zum Broock



Pain-free, gentle, beautiful!

That is the official claim of the Zahnzentrum Nord. The two-story building houses a comprehensive, state-of-the-art dentistry practice: A separate unit deals with „restorative dentistry & prophylaxis“, two special rooms are available for surgical interventions and the in-house, fully digital practice laboratory plans and manufactures dental prostheses with the highest precision.

Island residents and foreign patients can feel completely at ease for the entire duration of their treatment in our luxurious, practice-owned suite. A kitchen, the fully-glazed bathroom and the large terrace leave nothing to be desired.

But the rooms are far from cold and unwelcoming. Warm tones, high-quality materials, targeted lighting and cosy textiles in the waiting area create an aesthetic appeal that conveys a feeling of closeness and trust. Loving details such as Tintin collectibles and comics on the ceilings help patients get lost in good thoughts. Star Wars pictures hang in the toilets and motivational sayings and quotes from Stephen Hawking and Elon Musk guide you up the stairwell on your way to the first floor. Technology enthusiasts have the opportunity to observe the digital milling and construction of their teeth through the floor-to-ceiling window of the 4D dental technology laboratory. In addition to exclusivity, structure and professionalism were critical criteria when planning the practice: the entryway, waiting area and treatment areas are clearly separated by a light barrier and different types of flooring. Short walking distances, centralisation of instruments and materials, colour-coded boxes for the respective indications and accessibility to the treatment chair facilitate a smooth and relaxed workflow.



GET INSPIRED*: COSY ELEGANCE

Evoke emotions and stimulate the imagination – that's what this mix of wood, velvet and decorative metal and glass elements achieves. Together with the finely nuanced colour palette, an overall lounge-like feel is created.



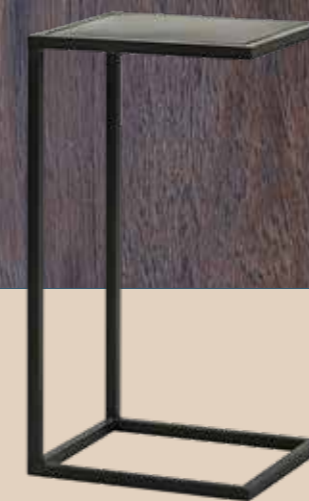
Velvet pillows
VENEZIA – 45x45
SAVORA – 30x50



* The collage shown here is not part of the interior design draft shown in the practice portrait. It is only used for inspiration. Most of the practice's furniture was made to measure. The furniture shown on this page can be found at www.maisonsdumonde.com.



BURTON – Suspension lamp made of gold-coloured metal and D34 glass



EDISON – Industrial-style side table in black metal

WILLIS BUSINESS – Armchair for commercial use with high back and petrol blue velvet cover



SASCHA – Two-seater upholstered bench, mustard yellow velvet cover



MOKA – Round coffee table in gold and brown metal

AT HOME WITH THE KIEFER FAMILY



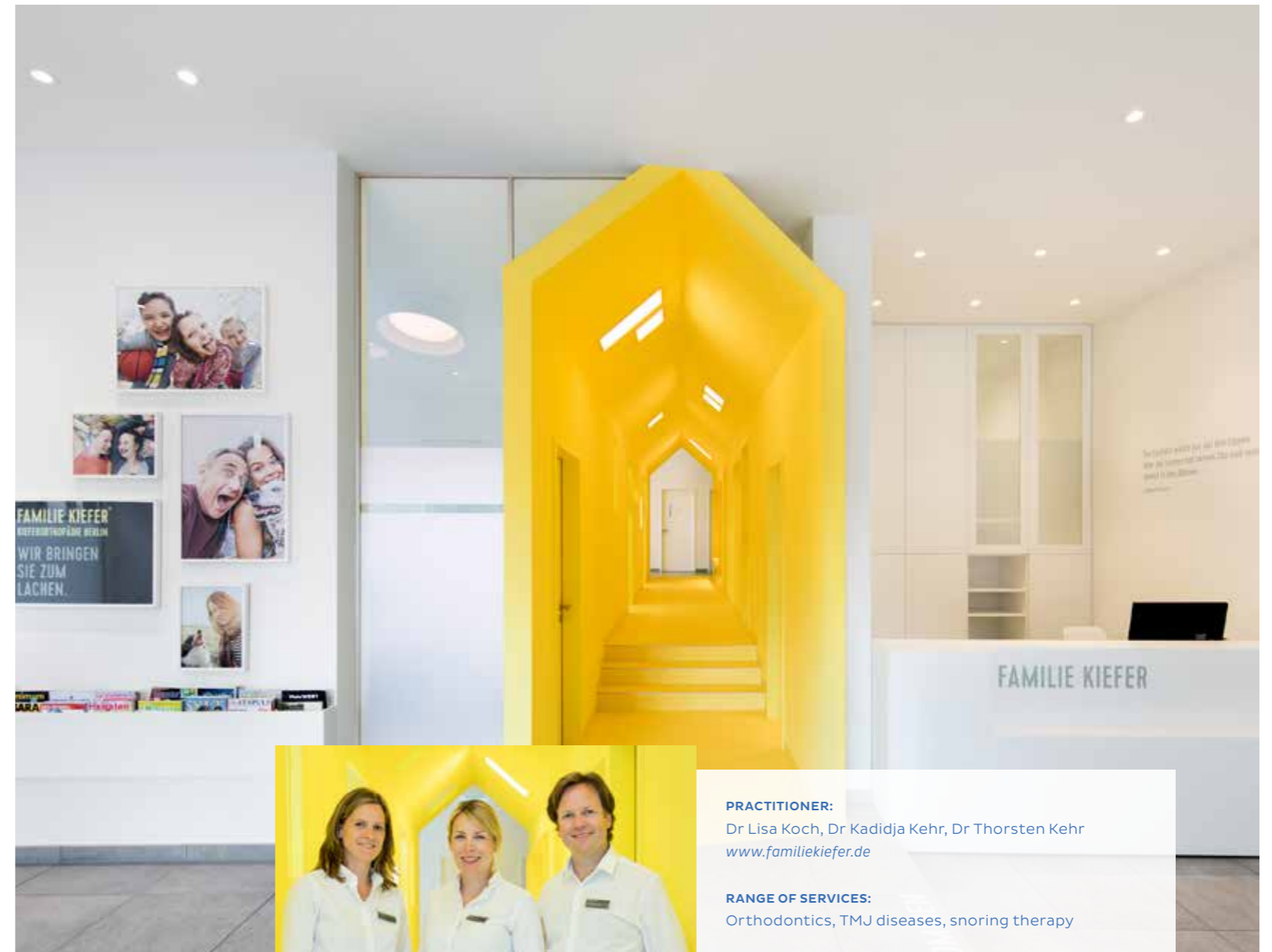
Colour is a central design element here. It provides orientation, gives structure to the rooms and distinguishes them according to their use. The effect of the colours is also purposefully planned. Blue has a calming effect and is therefore used in the treatment rooms. Yellow gives off warmth, is cheerful and inviting and the yellow house already greets the patient through the window with a ray of sunshine as they enter from outside.

Family – it's not just Thorsten Kehr and his wife and sister, who run the practice with him, but also the patients, big and small, and their families and friends, that make up the Kiefer family. This guiding principle is a skilful thread running through every area of the KIEFER FAMILY orthodontic practice in Berlin. The focal point of the practice is the yellow house, a symbol of safety, solidarity and life. The house creates identity, gives structure, guides patients and transforms the hallway into an small adventure space. Windows and doors not only connect the adjacent areas, but also ensure the desired openness and transparency.



To give to house the glory it deserves, the adjoining rooms are deliberately subtle and predominantly white. Accents, such as photos of the numerous family members, adorn selected walls; emerald green gives a fresh touch to the prophylaxis rooms and patient toilets and the treatment rooms are kept in a soothing blue.

What is special, however, is the large table in the waiting area: the centre of every family life. Here you can flip through the pages of a magazine, do homework or play games. To facilitate this, board games are printed directly on the table so you can entertain



PRACTITIONER:
Dr Lisa Koch, Dr Kadidja Kehr, Dr Thorsten Kehr
www.familiekiefer.de

RANGE OF SERVICES:
Orthodontics, TMJ diseases, snoring therapy

PRACTICE:
7 dental assistants |
5 treatment chairs in 3 rooms |
existing practice concept since 2016

INTERIOR DESIGN:
Christiane Hornemann, Berlin

Quality, sustainability, outstanding technology and ergonomics, in addition to design and colour criteria, formed the basis for deciding on a KaVo treatment centre.

yourselves or sit down for an informal chat. All in all, it's a place that welcomes everyone and encourages them to feel at home.



GET INSPIRED*: PLAYING WITH COLOUR



ZOEY - Round metal mirror,
gold tone D110



ALDEN - Side table
with two surfaces



ICE - Heather grey
Scandinavian chair



The contrast of complementary colours with the clear design language of the furniture and playful elements such as the pictures creates an inviting mix of comfort and a professional practice environment.

* The collage shown here is not part of the interior design draft shown in the practice portrait. It is only used for inspiration. Most of the practice's furniture was made to measure. The furniture shown on this page can be found at www.maisonsdumonde.com.

HYGIENE

THE PUREST DELIGHT



Hygiene is made easy with the KaVo videos on
hygienic preparation of the treatment units
<https://www.kavo.com/hygiene-easy-way>

When practical intelligence translates to safe hygiene.

Hygiene has always been a focus in dental practice. We at KaVo are aware of our responsibility and have therefore been developing solutions for decades that make working in a dental practice safer and easier for everyone involved.



Hygiene has played an important role at KaVo since the 1920s. Back then, the first sterilisable handpieces were developed, offering dentists and patients better protection against infection at an early stage.



We know how important time and cost efficiency are to your practice. That's why throughout all of our development processes, we ensure that hygiene can be implemented in your practice not only safely, but also simply and efficiently from start to finish.

Safe and ready for use, thanks to intelligent hygiene functions.

Safety for your patients and you – that is our top priority. Therefore, features such as RKI-compliant instrument rinsing make efficient cleaning of our treatment units a real pleasure. In addition, automated processes save valuable time and guarantees the functional reliability of your treatment centre.



Integrated permanent germ reduction

The integrated permanent germ reduction with OXYGENAL 6 prevents microorganisms from spreading in your treatment system. The HYDROclean programme also ensures fully automatic cleaning of the suction and drainage system. The KaVo ESTETICA E70/E80 Vision, KaVo uniQa and, optionally, the KaVo ESTETICA E50 Life treatment units are also cleaned with automated DEKASEPTOL gel dosing.



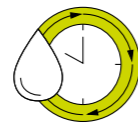
An extra dose of hygiene

The bottles of disinfectant and sanitising substance can be placed directly in the unit body of the KaVo ESTETICA E70/E80 Vision, the KaVo uniQa and the KaVo ESTETICA E50 Life with the DEKAmat kit. The automatic dosing of OXYGENAL 6 and DEKASEPTOL Gel means that your assistant does not have to mix and refill the agents by hand.



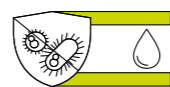
Intensive germ reduction

The intensive germ reduction process ensures the flawless quality of cooling and rinsing liquids even after long periods of inactivity.



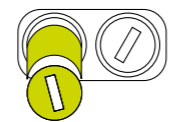
Instrument rinsing function according to Robert Koch Institute (RKI) guidelines

The rinsing programmes are based on the requirements of the RKI guidelines and thus guarantee optimal cleaning of the water-bearing tubes.



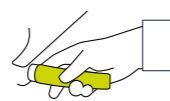
Hygienic tubes

The special materials of the water-bearing tubes prevent or minimise the formation of biofilm in your treatment system.



Hygienic filter

The easy and quick-to-change suction and filter sieves save your staff a lot of time on hygiene work.



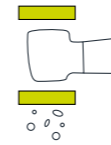
Detachable parts

The handles, silicone mats, cuspidors, instrument holders and swing arm are removable, easy to clean and some can be sterilised.



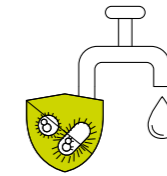
Contact-free operation

Functions such as the (wireless) foot control and the contact-free operation of the KaVoLUX 540 LED minimise the risk of cross-contamination and maximise safety for your patient.



Better protection through the spray water non-return valve

Protect your water supply system with the anti-suckback retraction in KaVo MULTIflex couplings and



motors. This function prevents contaminated spray water from being drawn back into the tubes of the treatment unit.

German Gas and Water Association (DVGW)-certified water block

The water block with free water inflow fulfils DVGW requirements and prevents any possible back contamination in your supply line.



The treatment centre hygiene concept keeps you informed about the daily hygiene measures.



In the morning

- Rinse the instrument tubes and water-bearing systems
- Rinse the suction hoses and the suction system with water
- Clean the suction system and the cuspidor



After treatment

- Rinse the suction hoses, the suction system and the cuspidor
- Clean and disinfect all device surfaces, upholstery, lights and the cuspidor
- RKI – rinsing programme per instrument tube



After hours

- Check the sieve inserts
- Clean and disinfect all device surfaces, upholstery, lights and the cuspidor
- Rinse the instrument tubes and water-bearing systems
- Clean and treat the complete suction system with DEKASEPTOL



Weekly cleaning

- Intensive germ reduction of the instrument tubes and water-bearing systems
- Check the return air filter
- Clean and disinfect the instrument holders
- Clean and treat the complete suction system with DEKASEPTOL



As needed

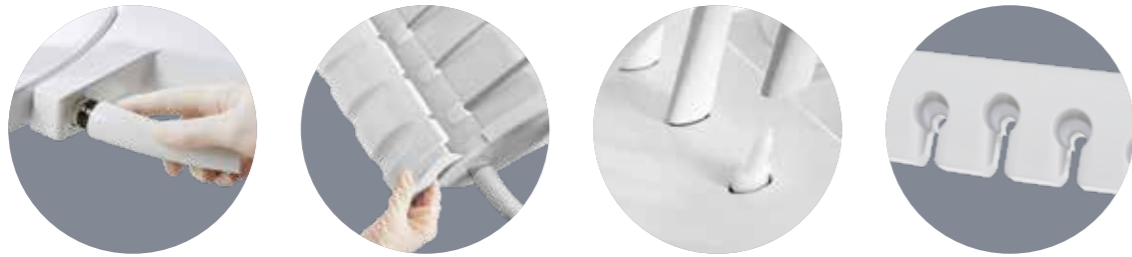
- Disinfect and sterilise the silicone tray
- Disinfect the tumbler filler and holder
- Clean and disinfect the instrument holder
- Check the amalgam trap

This hygiene concept only covers the essential operating functions. It does not replace the instructions for use or the care and cleaning plan included in the scope of delivery. These must be observed to avoid malfunctions and damage.



Clean solutions

For us, hygiene begins with the quality and processing of the materials. High-quality, easy-to-clean surfaces with minimum gap dimensions are a prerequisite for permanent safe and hygienic work. For easy disinfection, important parts of the device such as the instrument holder can be easily removed. To prevent dirt from entering your treatment unit, all upper and lower parts of the housing are completely enclosed.



Detachable parts.

KaVo has also considered the manual elements. Easily remove contaminated device parts such as handles, instrument holders or cuspidors. These can be cleaned, disinfected or sterilised as required.



With the foot control, hygiene happens naturally.

Of course, there isn't a better way to prevent cross-contamination than avoiding contact. You can therefore control not only the patient chair but also the instruments in your KaVo treatment centre using just the foot control. That means that you do not have to touch the dentist element during treatment. The fact that the foot control is wireless makes hygiene even easier.

Inspiring safe hygiene.

The KaVoLUX 540 LED not only provides the highest quality natural white light, but is also ideally suited for safe practice hygiene thanks to its contact-free operation. Even the COMPOsave mode on the KaVoLUX 540 LED can be switched on and off without contact if required. The enclosed housing with smooth surfaces and the removable handles offer even more hygienic advantages.



The KaVo cleaning products



KaVo OXYGENAL 6

Effective water germ reduction for treatment units.

OXYGENAL 6 consists of hydrogen peroxide, which is synergistically enhanced in its effect by silver ions. In addition to numerous reports that confirm the effectiveness of OXYGENAL 6, above all, it is particularly compatible with the materials and does not pollute wastewater, as the silver is not present in any toxic concentration.

OXYGENAL 6 does not pose any risk to patients or staff at the application concentration, because the hydrogen peroxide it contains breaks down into water and oxygen without leaving behind any residue.



KaVo DEKASEPTOL Gel

Disinfectants and cleaning agents for dental suction systems and treatment units.

DEKASEPTOL Gel completely wets the suction hoses and systems and clings to critical points, instead of just being flushed through. The gel is mixed ready for use and, thanks to the dispenser, is straightforward and easy to apply. This saves you valuable minutes and avoids skin contact or dirty work surfaces.

DEKASEPTOL gel is bactericidal, fungicidal, virucidal to a certain extent, tuberculocidal, HBV and HIV effective and therefore provides all-round protection for patients and practice staff.

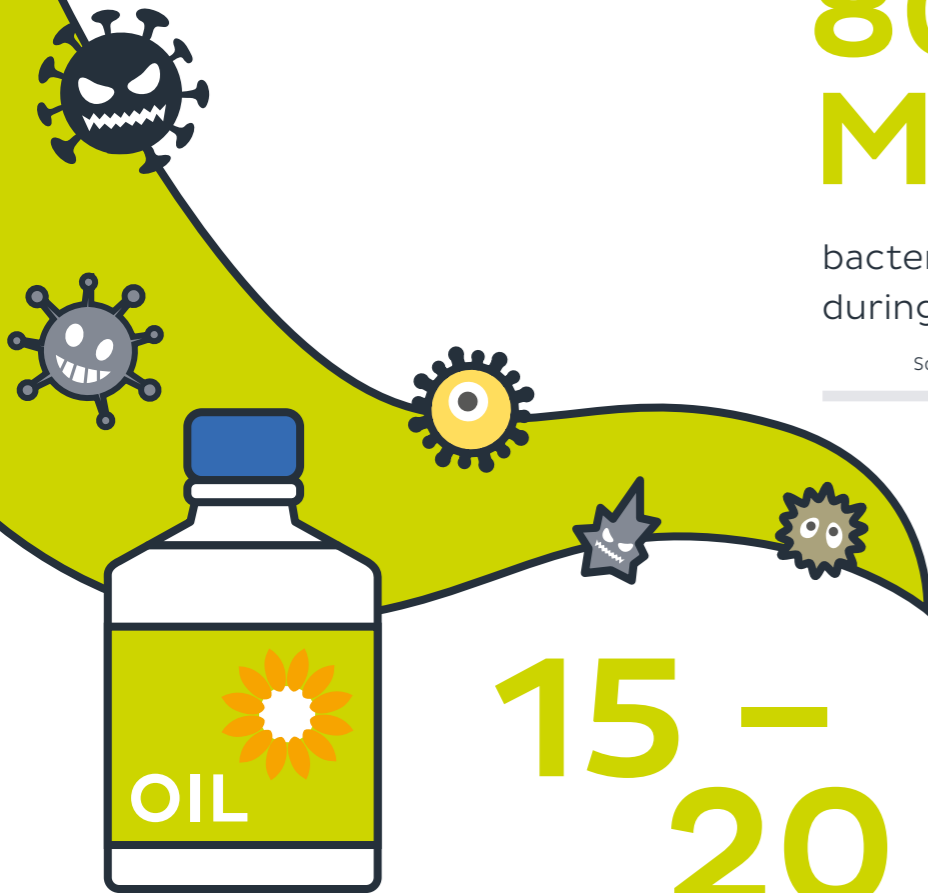
FUN FACTS & FIGURES



**80
MILLION**

bacteria are exchanged
during a French kiss.

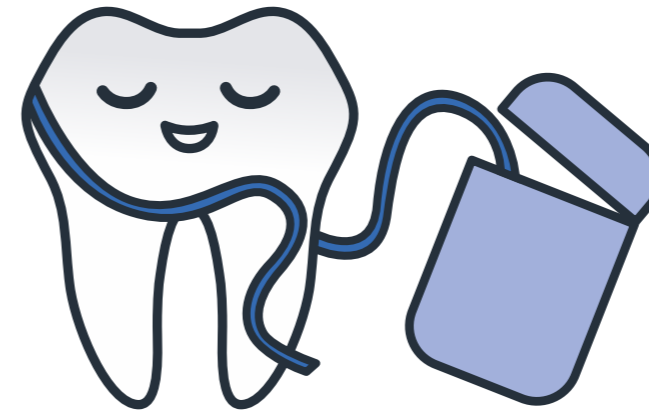
Source: www.gesund.at (Retrieval date: 16.11.2020)



**15 –
20 MIN.**

is the amount of time the mouth is rinsed with sunflower or sesame oil during oil pulling. This has its roots in Ayurvedic medicine in India, is still practised there today and is becoming increasingly popular here in Germany. The oil draws in dirt and cavity-promoting bacteria from the furthest corners of the mouth and rinses them out of the mouth, ensuring a balance of the oral flora.

Source: www.maxcare.de/ratgeber/zahngesundheit/andere-laender-andere-zahnpflege (Retrieval date: 16.11.2020)



Source: www.sueddeutsche.de
(Retrieval date: 16.11.2020)

1.5 M

of dental floss are used by
Germans on average each
year – the recommended
amount is **180 metres**.

24%

of Germans regularly
use tongue scrapers

Source: www.zahnvorsorge.plus (Retrieval date: 16.11.2020)



30%

of Germans only change their
toothbrushes every 2 to 3
months. **3%** even only once
a year!

Source: de.statista.com (Retrieval date: 20.09.2019)

ERGONOMICS

EVERYTHING YOU NEED FOR A HEALTHY POSTURE

Enjoy the comprehensive ergonomic concept of the KaVo treatment units. Sit, stand or lie down comfortably with KaVo – it's all possible. There are practically no better conditions for a healthy posture and a strain-free work environment for you and your assistant. Experience the freedom of natural, intuitive movement sequences and give your patients a comfortable place to lie down.

**More than 100 years of KaVo –
that means ergonomics right from the start.**

KaVo has always blazed the trail in ergonomics and comfort. KaVo products were developed from an ergonomic point of view as far back as the early 20th century. Then in 1965 the ergonomic revolution: a patient chair with a completely new lying position helps dentists maintain a healthy, strain-free posture for the first time. Patients experience comfortable treatment that was previously unknown. Free-hanging instrument tubes offer additional ergonomics, minimising the amount of reach required.



The great innovation of 1965: with the treatment unit 1025, patients are treated ergonomically while lying down.



Even today, KaVo symbolises the highest standards of ergonomics and smooth treatment processes. Every KaVo product is specifically tailored to the needs of dentists and patients – for excellent ergonomics and maximum comfort.



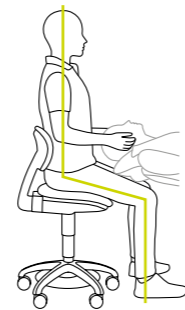
The KaVo ESTETICA E70/E80 is the first, and to date, the only treatment unit to be awarded the coveted seal of approval from AGR eV.

Treating in top form.
Everything you need for a relaxed posture.



HEALTHY WORKING CONDITIONS

Basic posture Exercises



Correct basic posture

- Place your feet on the floor with a sufficiently wide angle at the knee.
- Raise the chair enough so that the feet stay on the floor and the thighs are clearly inclined.
- Support your pelvis by sliding your buttocks backwards and pulling the backrest forward until your back is supported.
- Now tilt the seat forwards in order to avoid pressure on the edge of the thigh and to support it over the entire surface.

- End position:**
- The pelvis is supported and tilted forward
 - The physiological oscillation of the spine (double S-shape) is ensured
 - Shoulder girdle is in balance
 - Head is perpendicular

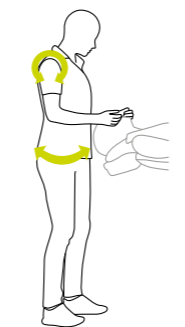


Dynamic seating position

Mobilisation and relief of the back

- Starting position:**
- Start in the basic sitting position, the 12 o'clock position
 - Your movements should be carried out slowly and consciously one after the other

- Execution:**
- Rock your pelvis back and forth
 - Let your shoulders circle back and forth
 - Arch your spine sideways to the right, then the left, alternating back and forth.
 - Rotate your shoulders/upper spine from right to left, alternating back and forth.

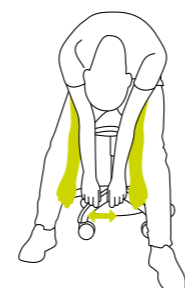


Dynamic standing position

Provides relief to the intervertebral disc

- Starting position:**
- Pelvis is stable
 - Arm angle 90 degrees
 - Feet are positioned firmly and to the front
 - Knees are relaxed
 - Pull the belly button slightly inwards
 - Pull your shoulders down
 - Head remains extended

- Execution:**
- Shoulders and pelvis can be easily moved while treating the patient



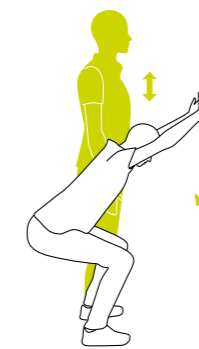
Hanging position

Stretches the muscles, mobilises the spine

- Starting position:**
- Sitting on the dentist's chair
 - For a break during the treatment phase.

- Execution:**
- Slowly roll your head forward.
 - First bend the upper part of the spine, then the middle and lower parts.
 - Let yourself hang loosely and breathe into your back
 - Swing your arms and upper body slightly back and forth
 - Slowly straighten up again

Back problems in the dental office are very common. However, these small exercises and behavioural changes can alleviate and counteract them.



The weightlifter

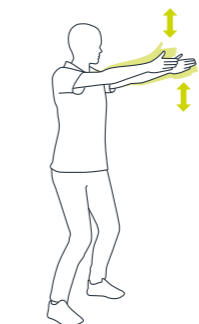
Trains all muscles in the body

Starting position:

- Skier's crouch:
- Bend your knees, push back your bottom, stretch your arms forward and straighten your back
 - Flex your thigh, glute and back muscles

Execution:

- Hold the starting position for a while
- Then slowly lift your body back again, lowering your arms
- Exhale and go back into the skier's crouch
- Repeat the exercise around 10 times.



Arms flutters

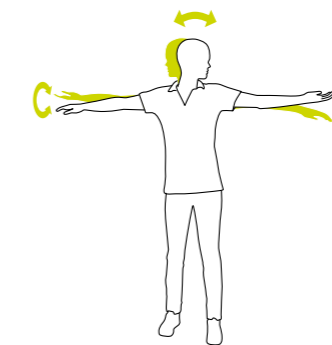
Trains the deep muscles, stabilises the spine

Starting position:

- Bend your knees slightly
- Stretch your arms out in front of you
- Pull your belly button inwards
- Stabilise your pelvis – this is particularly important during this exercise to avoid hollow back

Execution:

- Flutter your arms up and down vigorously in a scissor motion, slowly lifting your arms
- Slowly lower your arms again, continue breathing normally
- Repeat the exercise around 10 times.



The shoulder twist

Stretches the shoulder muscles, mobilises the cervical spine

Starting position:

- Extend your arms out to the sides
- Turn one palm up on the side where you are looking; the other palm faces down

Execution:

- Slowly turn your head to the other side while turning your palms in the opposite direction
- Perform the exercise 10 times in a slow, relaxed manner with the rhythm of your breathing



The flank stretch

Stretches the pelvis and the upper and lower spine

Starting position:

- Place one ankle behind the other, grab your wrist on that same side, pull your arm over your head up as far as possible
- Keep breathing normally

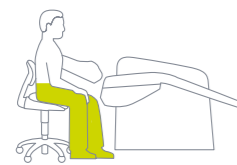
Execution:

- Hold the starting position for approx. 10 seconds, stretch your arm as far as you can
- Place the other ankle behind, switch the wrist you are holding and now stretch this side as well



You can find these back exercises as instructional videos at www.kavo.com/en/ergonomics-exercises

A dentist carries out around 80,000 treatments during their career. No wonder that many of them suffer from back and neck pain. But KaVo has just what the doctor ordered: KaVo ergonomics. Each KaVo product is specifically tailored to your needs so that you can work in a relaxed manner.



a

Our suspension chair concept – because we care about your health.

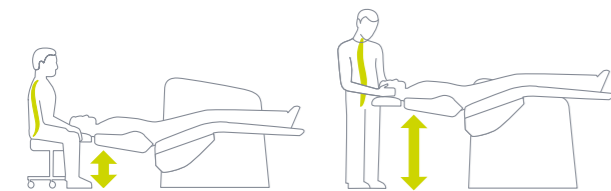
The unique suspension chair concept is our answer to neck and back pain: the free space under the KaVo ESTETICA E70/E80 Vision patient chair enables you and your assistant to maintain healthy, relaxed leg and body positions while being close enough to the patient.



b

Excellent for ergonomics.

The KaVo ESTETICA E70/E80 Vision treatment units and the PHYSIO Evo dentist's chair have been awarded the ergonomic seal of approval from the „Campaign for Healthier Backs“ association (AGR). This is the first time, and to date, the only time that the coveted title has been awarded to dental practice equipment.



c

The greatest ergonomics – regardless of your height.

The extremely low position of 350 mm enables natural posture for patients in a sitting or lying position – even for short practitioners. The maximum position of 900 mm (KaVo ESTETICA E70/E80 Vision) or 830 mm (KaVo Primus 1058 Life, KaVo ESTETICA E50 Life, KaVo uniQa) also enables dentists who are taller than 1.80 metres to work in an ergonomic position.



d

Relaxation from head to toe.

The KaVo foot control – optionally as flexible positioned wireless foot control – is operated with simple left to right movements. Without strenuous up and down movements, your leg muscles are freed of tension, even during long sitting or standing treatments.



e

Consistent field of work.

With the horizontal shift of the KaVo ESTETICA E80 Vision, the practitioner can change treatment positions, maintaining the position of the patient's head without increasing the range of reach.



f

Close, closer, perfect: The Progress backrest.

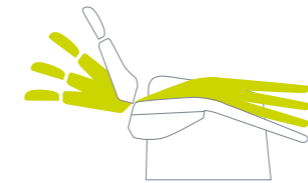
Small differences in design often make a big difference in daily treatments. The best example of this is the particularly narrow Progress backrest, which is available for all treatment units and, thanks to its narrow shape, offers a back-friendly working posture possibility, providing optimal access to the patient.



g

Double duty ergonomics: for you and your assistant.

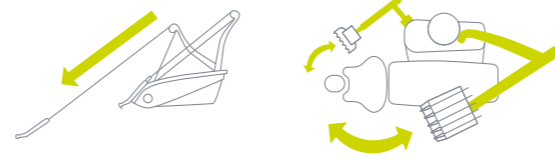
All doctor and assistant elements can be swivelled and adjusted in height and can be positioned to ergonomic perfection – regardless of whether treatment is performed while standing or sitting.



h

Trendelenburg means: Treating in total relaxation.

In order to achieve the Trendelenburg patient position, the footrest tilts and lifts automatically to match the tilt of the backrest. The lying position remains ergonomic, preventing the patient's back from being compressed or stretched when the backrest is positioned. In addition, your patients stay relaxed and you can treat them for longer in total comfort.



The optional swing arm version with a low table height of 45 cm and balanced swing arms offers optimum ergonomics. The instrument tubes with an extension length of 90 cm allow maximum freedom of movement.

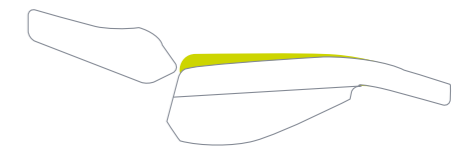
¹ Source: www.the-dentist.co.uk/content/news/back-for-the-future (Retrieval date: 6.11.2020)
² Source: <https://www.agr-ev.de/en/back-friendly-products/back-friendly-products/2833-dental-surgery-furniture> (Retrieval date: 6.11.2020)



i

Ergonomics that are heads and shoulders above the rest.

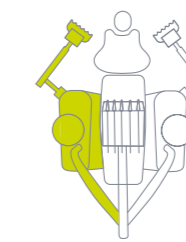
With the infinitely adjustable head tilt angle, you can adjust the headrest and thus the position of the head and the mouth. Your patients will feel relaxed on the comfortable and easy-to-position comfort headrest and you will constant optimal access to the work area.



j

Raised seat for comfortable lying over long periods of time.

With the KaVo ESTETICA E80 Vision's motorised seat lift, patients of different sizes, children and even patients with health restrictions such as hunched back or hollow back are always in the best possible position.



k

Ergonomics at its best, with additional features and unimpeded access.

Some KaVo treatment units are available as right-handed or left-handed versions. In addition, many have an integrated endo and surgery function as standard or optional, saving you additional avenues and investments.



l

Obviously ergonomic.

The natural white light of the KaVoLUX 540 LED enables optimum visibility. The COMPOsave mode, which prevents fillings from hardening prematurely, keeps the dentist from being rushed. The KaVoLUX 540 LED is automatically switched on and off in accordance with the automatic positions of the treatment centre. The user can also control the most important functions such as dimming and switching on and off without contact.

42%

of dentists experience headaches due to poor posture.²

ACCESSORIES

MIX & MATCH FOR YOUR UNIT



Power and performance, optimally balanced

With the PiezoLED ultrasonic scaler, dental cleaning can be done with the highest precision and in a time-saving manner: linear oscillating titanium sonotrodes ensure particularly effective treatment. Teeth and gums remain untouched, even in delicate areas, as circular light emissions give you an optimal view and the light, ergonomic design allows you to work with extreme precision and without fatigue.

The KaVo SONICflex is the universal genius for almost all indications and, thanks to its diverse possibilities, will be one of your most widely used instruments: with over 50 tips that can be changed with just one single twist, it is perfect for all areas of application, such as prophylaxis, endodontics, periodontology, minimally invasive cavity therapy, surgery or dissection.

Live up to your claim.

When it comes to instruments, you shouldn't settle for less than the best.

The KaVo MASTERmatic series covers all areas of application, offers you the best view and optimal access – giving you the freedom to consistently provide treatment with the highest quality and precision. Especially in combination with the extremely compact, lightweight and smooth-running INTRA LUX KL 703 LED micromotor, thanks to SMARTdrive, you can work with particular efficiency and free from fatigue over the entire speed range of 100 to 40,000 rpm.



Excellent ergonomics and perfect comfort: The KaVo PHYSIO.

For you as a dentist it is particularly important to adopt a permanent, ergonomic, healthy and comfortable posture in every treatment situation. Nothing affects your posture as much as the work chair you sit on every day. For this reason, our dentist's chairs are specifically tailored to the needs of dentists and assistants.



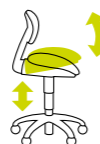
Seal of approval

The KaVo PHYSIO Evo and Evo F were the first, and to date, the only dentist's chair to be awarded the coveted seal of approval from the AGR eV for their ergonomic concept.



Supportive backrest

A backrest that follows movements of the user, or is permanently adjustable, supports you and your assistant in every position (KaVo PHYSIO Evo, Evo F).



Optimal adjustability

It's quick and easy to find the correct height setting and seat angle.



Freedom of movement even in small spaces

The slimline design and the small diameter of the cross chair allow maximum mobility.



The KaVo **PHYSIO Evo** offers even more comfort and support, regardless of the treatment situation, thanks to its adjustable backrest.



The KaVo **PHYSIO Evo F** is also particularly hygienic thanks to the possibility of adjusting seat height via optional foot control.



The KaVo **PHYSIO One** impresses staff and patients alike with reliable KaVo quality, modern design and an excellent price-performance ratio.



Lowest seat height	465 mm
Highest seat height	660 mm

Adjustment range of the seat height	195 mm
-------------------------------------	--------

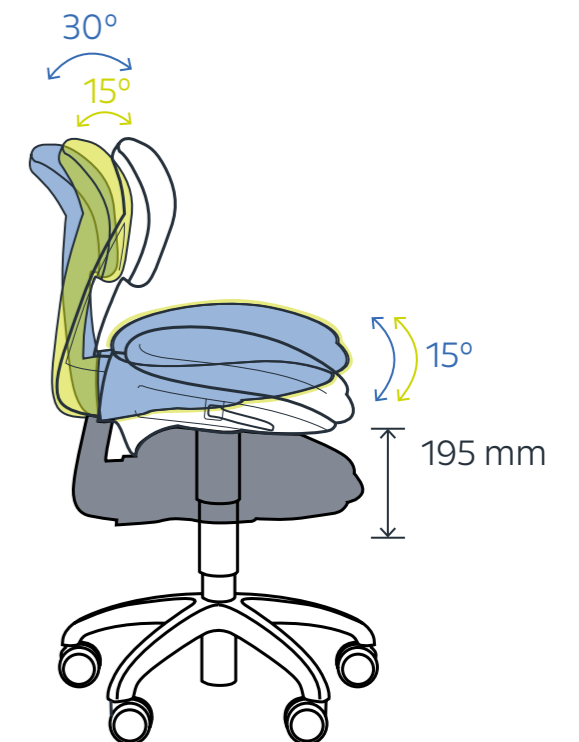
Seat width	max. 400 mm
Seat depth	380 mm

PHYSIO Evo/Evo F	
Adjustment range of the backrest angle	30°
Seat tilt	15°

PHYSIO One	
Adjustment range of the backrest angle and seat tilt at the same time	15°

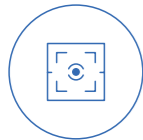
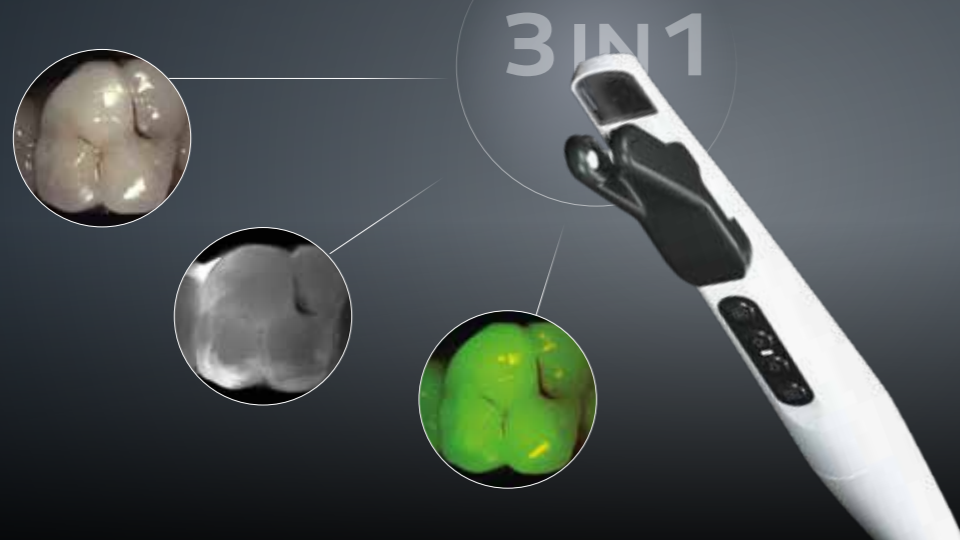
Base diameter	535 mm
---------------	--------

Weight	12.5 kg
--------	---------



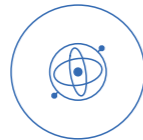
NEW

DIAGNOcam Vision Full HD: See more, show everything: three-in-one diagnosis at the click of a button



High-precision images – every time, with every shot

The permanent autofocus is always active – inside and outside the mouth. This enables extremely precise, clinically relevant images without delays caused by focusing, thus avoiding retakes.



Gyro sensor for easy orientation

All images are always perfectly aligned: the integrated gyro sensor detects whether you are taking a shot of the left or right side of the upper or lower jaw – and automatically aligns the picture.



Integrated selection of the best shot

To further optimise image quality, the camera automatically saves the images immediately before and after the picture is snapped, selects the sharpest image and displays it on the screen.

Permanent autofocus



Jochen Kania
Dentist,
Laupheim, Germany

"Many cameras offer an auto focus function. But it usually takes too long for the image to focus well enough for a clinically relevant image. The permanent autofocus of the DIAGNOcam Vision Full HD is quite different: it is always on without having to press a button. It's automatically focused at all times – I get a sharp image immediately, without the wait.

The result is impressive: it's nearly impossible to take a picture that is not perfectly sharp – in full HD quality. And that applies regardless of whether the DIAGNOcam Vision Full HD is used as an intraoral camera, for transillumination images or in fluorescence mode – or whether all three modes are combined in one image."

The DIAGNOcam Vision Full HD produces remarkably clear and completely distortion-free full HD images in real time. Natural tones are preserved and the images remain sharp even when enlarged, so that you can see even the smallest of details without any problems.

Portraits

Distortion-free portraits that can easily be added to patient files in your patient management system (PMS) for the purpose of documentation.



Smile shots

Ideal for capturing the lip and smile line. Especially useful to dental technicians for colour matching and creating perfectly matched aesthetic anterior teeth restorations, and also to dentists for showing patients before-and-after comparisons and for documentation.



Shots of rows of teeth

The quick and easy way to get an initial overview of the dental situation, including fillings, dentures, extractions, deformations and general oral hygiene. Perfect for before-and-after comparisons for the patient and for documentation.



Macro shots

For enlarging the finest tooth and gum structures, recommended for detecting the smallest lesions, faulty transitions between the filling material or crown to the tooth and for the preliminary examination of root canals.



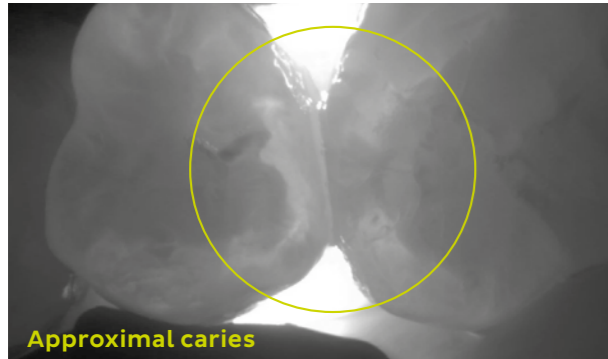
Perfectly adaptable to your needs

Whether you use a KaVo treatment unit or the DIAGNOcam Vision Full HD as a stand-alone device or have integrated it in your patient management system or your X-ray software: simply take the camera out of your preferred holder, detect caries and show them on the screen – it couldn't be easier.

Pure joy, a clear view: superior hygiene concept

By using the sheaths, the DIAGNOcam Vision Full HD is protected against contamination. The tip and the fluorescence cover can be easily installed over the sheath, which does not affect the image quality. The tip and the fluorescence cover can be reused after being washed in a thermal disinfectant and sterilised in autoclaves, the sheath is disposable and for single use only.

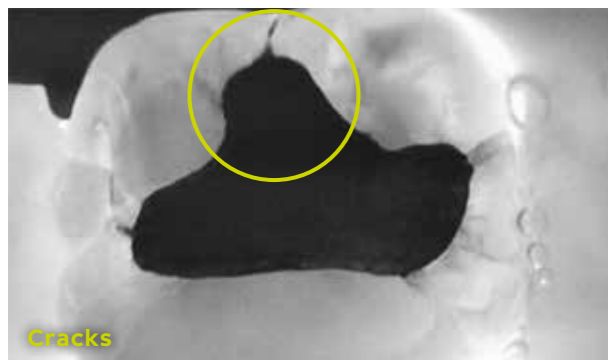
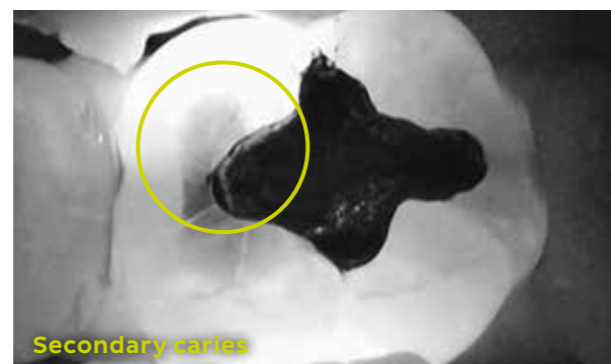
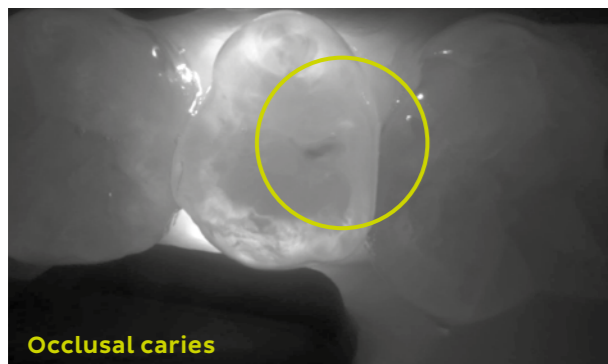
Transillumination mode: Light years ahead of caries.



Detecting caries early is good. Detecting caries early and safely is better. Thanks to the intuitive handling, you can diagnose caries using the transillumination mode of the DIAGNOcam Vision Full HD with an extreme accuracy of up to 99%* – with almost no training at all! Clinically established and proven in practice through countless recordings.

99% accuracy

Caries diagnosis with transillumination – light years ahead. With both DIAGNOcams, light waves complement X-rays otherwise needed for caries detection, giving you exceptional image quality and detail.



- The light source inserted in the tip illuminates the tooth outwards from the neck of the tooth to the occlusal tooth surface.
- A digital camera shows the captured scenes live on the screen of your choice.
- The tooth becomes a light conductor, making the tooth structures visible. Any caries or cracks that the light comes across on its way to the tooth surface are clearly identifiable and visibly darker.

* Precise diagnosis with DIAGNOcam based on: Kühnisch J, Söchtig F, Pitchika V, Laubender R, Neuhaus KW, Lussi A, Hickel R "In vivo validation of near-infrared light transillumination for interproximal dentin caries detection," Clinical Oral Investigations, May 2016.

KaVo ERGOcam One – small camera, really big impact.

Help your patients understand the dental situation through images with great depth of field and excellent colour rendition.

The easy-to-use KaVo ERGOcam One provides you with the perfect image at any time. The camera makes it possible to display a sharp image at a distance of 10-25 mm. It is designed to show an image of a tooth. Recordings of a dental arch or extraoral recordings are not possible. The image can be released by hand or with the foot control.



KaVo HD screen. Show your patients what you've got.

Impress your patients with sharp images. The KaVo HD screen offers you high-resolution image quality, impressive contrast values and brilliant colour reproduction, optimally matched to all functionalities of imaging devices such as cameras or microscopes. For the highest level of hygiene, the screen has a protective glass pane, small gaps on the housing and can be adjusted with one simple gesture.

NEW



The new foundation for your patient communication – integrated, simple and efficient.

KaVo CONNECTbase offers an innovative, easy patient communication workflow – you can use CONNECTbase to inform your patients about their dental situation on the KaVo treatment unit itself, entirely without installing additional software. Just connect your camera and get started straight away. The images are displayed directly on the treatment unit's screen and can even be compared with past saved images.



The plug-and-play principle – smooth processes made easy

By using the cameras on the KaVo treatment unit, you have instant access to your camera images and can then export them via USB.

Operation via the touch display or the foot control of your treatment unit is just as easy, so there's no need to leave your workplace during the treatment, or to interrupt your process unnecessarily.

Interested in accessing other sources? No problem. By simply switching on the dentist element, various HDMI sources can be displayed on your treatment unit's screen.

Make your treatments a real experience

Make waiting times easier and, if needed, create a welcome distraction for your patients using visual entertainment right on the KaVo treatment unit. A great selection of media, including a customisable welcome screen or screen savers with a large selection of photos or slide shows, will appeal to your patients, both young and old. Of course, you can also use your screen to promote your own topics of interest or simply share relevant information.

Available for KaVo uniQa, ESTETICA E70 Vision and ESTETICA E80 Vision.



Various themes are available for your screen background to match the design of your practice.



CONNECTlink – the simple connection of your patient-management-software

With the new software module CONNECTlink your patient-management-software can be connected with your KaVo treatment unit to enable a simple and fast transfer of patient data and clinical images. Thanks to this link, all relevant data can be directly accessed on the touch display of the dentist element. As usual, new clinical images can be added with the KaVo cameras and will be transferred automatically to the corresponding patient file in the patient-management-software thanks to CONNECTlink.

The new CONNECTlink software can be ordered as a separate module to your existing CONNECTbase patient management system. For the use of CONNECTlink, CONNECTbase and the corresponding CONNECTlink for your KaVo treatment unit are required.



CONEXIO connects what belongs together.

A unique KaVo operating philosophy makes it possible: CONEXIO paves the way for more efficiency in everyday practice. The KaVo software combines patient management software, 2D X-ray image archive and intraoral live images and offers fast, intuitive access. Access all patient data directly on the touch display of the KaVo uniQa. So you'd like to add more data? No problem. Best of all: they are assigned directly to the patient record.

Helpful for your diagnosis – Informative for your patients

Use the opportunity to select and compare images from different sources. All you need to show your patient is the dentist element of your KaVo uniQa – without any keyboard, mouse, tablet or PC.



Perfect overview: The clinical monitoring status

Each image can be assigned to a tooth when the findings are recorded. You can set a clinical monitoring status from "healthy" to "critical". The comparison mode gives you the option of carrying out a progress check with older images of the tooth or images from other sources while the diagnosis is still in progress.

A sound treatment concept

With CONEXIO everything is exactly where you need it: directly on your KaVo uniQa dentist element. The user-friendly user interface via the uniQa touch display guarantees full access to the patient file. And in case you don't have a free hand: all central CONEXIO functions can also be controlled and activated using the foot control. Very convenient and hygienic.

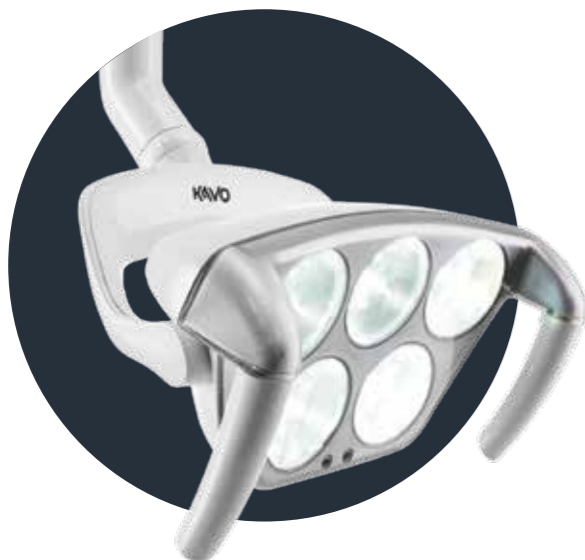


Comparison of KaVo patient communication systems

	KaVo CONNECTbase	KaVo CONNECTlink	KaVo CONEXIO
Product description	Autonomous system – Integrated into your KaVo treatment unit	Software installation on the back-end PC Add-on to your CONNECTbase*	Software installation on the back-end PC
Does software need to be installed on the PC?	No	Yes	Yes
Automatic integration of your practice management software	No	Yes	Yes
Availability of media (e.g. screen saver, KaVo themes, welcome screen)	Yes	Yes	No
Switching between sources directly on the dentist element of the treatment unit	Yes (2x HDMI)	Yes (PC content)	No
Images are displayed directly on the treatment unit screen	Yes	Yes	Yes
Image can be compared with previous images	Yes	Yes	Yes
Automatic image transfer	Yes	Yes	Yes
Operation	<ul style="list-style-type: none"> • Dentist element touch display • Treatment unit foot control 	<ul style="list-style-type: none"> • Dentist element touch display • Treatment unit foot control • PC (mouse, keyboard) 	<ul style="list-style-type: none"> • Dentist element touch display • Treatment unit foot control • PC (mouse, keyboard)
Compatible cameras	<ul style="list-style-type: none"> • KaVo ERGOcam One • KaVo DIAGNOcam Vision Full HD 	<ul style="list-style-type: none"> • KaVo ERGOcam One • KaVo DIAGNOcam Vision Full HD 	<ul style="list-style-type: none"> • KaVo ERGOcam One • KaVo DIAGNOcam Vision Full HD
Remote access + treatment unit updates	Yes (LAN)	Yes (LAN)	No

* Your CONNECTbase can be used as an autonomous system further on. If you would like to connect your CONNECTbase with your patient-management-software, the CONNECTlink software and the corresponding license for your KaVo treatment unit can be ordered.

Perfect light for the highest demands.



KaVoLUX 540 LED – optimal visibility for ideal processing.

The KaVoLUX 540 LED can be operated without contact and thus hygienically using the sensor or the intuitive dentist element. Switching on and off is also possible via the automatic positions of your treatment centre. Optimally-tailored to your KaVo treatment unit, the KaVoLUX 540 LED offers perfect compliance with hygiene requirements, the highest KaVo quality, a long service life and maximum treatment comfort.

A common problem: if the operating light is not dimmed, composite often hardens too quickly. Not so with the KaVoLUX 540 LED. The innovative COMPOsave mode (compatible with light-activated restoration materials) filters out all blue components of the light, slowing down the hardening of the filling material. With a brightness of 15,000 lux you always have optimal visibility for ideal treatment and excellent results.

- Light intensity in COMPOsave or dimming mode adjustable from approx. 8,000 to 15,000 lux
- Daylight quality lighting
- Colour temperature adjustable from 4,000 to 6,000 Kelvin
- Silent LED technology
- Removable handles, can be sterilised



Neutral light mode



No-contact light mode change



COMPOsave mode

MAIA LED – the entry into LED lighting technology.

- Light intensity infinitely adjustable, max. 35,000 lux
- Daylight quality lighting
- Continuously dimmable without changing the colour temperature (5,000 Kelvin fix)
- Silent LED technology
- Removable handles can be sterilised



Above all, a perfect workflow means one thing: Short avenues.



It all falls into place.

Enjoy a perfect workflow. The mainstay for this is the KaVo Centro carrier system in which all important devices are sensibly and ergonomically arranged in one place – the core of your treatment processes, reach range and movement sequences. Thanks to the short-distance principle, you always have everything with reach.

When converting and upgrading to other devices and future technologies, you will be absolutely flexible. Thanks to numerous adaptors, devices and components can be exchanged quickly and easily.

Can be individually equipped for customised work – the Centro support system



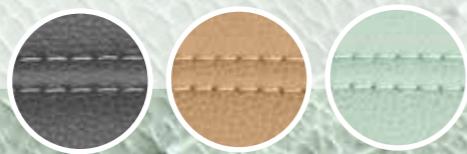
Intraoral X-rays are always within reach.

Or simply install the appropriate small X-ray unit on the operating light support column with an adaptor and you can take X-ray images that are optimally adapted to the radiological indication straight from the treatment unit – high-precision, time-saving and right next to the patient.

RELAXline soft upholstery.

Relaxation that's easy
on the eye.

The new KaVo RELAXline soft upholstery has an exclusive design and a feel-good quality to boot: an extremely comfortable memo foam, encased in a soft, leather-like surface material in elegant colours and with handcrafted design seams, adapts perfectly to the contours of the patient and ensures relaxation even during longer treatments.



Comfort in every detail.



Comfort backrest: Maximum comfort and a wide shoulder pad for patients.

Progress backrest: The proven KaVo Progress backrest has been further optimised for the KaVo uniQa and is now even slimmer, offering even better access to the patient. Despite the more streamlined design, the adapted shape means your patient can still lie in a comfortable and relaxed position.



Here, your patients can lay their worries to rest.

Not all patients are the same. They come in all different shapes, sizes and weights. So it's good that you can offer a patient chair that takes this into account.

Your patients will enjoy a particularly comfortable position with the wide Comfort backrest. Thanks to its trunk length adjustment, it adapts to every body size and shape. The Progress backrest is particularly narrow and offers you very good access to the patient. With the head cushion, your patients lie very comfortably even during longer treatments. Ergonomics and comfort at the highest level.



Optimised rotary knob headrest for the KaVo uniQa



The 2-joint headrest is available in mechanical, pneumatic and motorised versions

Comfort starts with the head.

Make yourself and your patients comfortable. Adjust the headrest of your KaVo unit exactly to the position of the head and mouth. The head tilt angle is infinitely adjustable. The fixation positions are precisely adapted to the body. Whether motorised, pneumatic or mechanical, you will always find the optimal position for the headrest. Comfortable and precise.

Not all headrests are available for every unit model.

DESIGN EDITION

Inspired by Japan

Japan: the island nation in the Pacific with densely-populated cities, a pulsating pop culture, deeply-rooted traditions, mountainous national parks and subtropical beaches... full of contrast and diversity!

This country has served as inspiration for a design series that is just as colorful and diverse as Japan itself.

Whether feminine, classic or urban, the designs combine effortlessly with a variety of furnishing styles and give your practice even more personality.



COZY
GLAMOUR

CHERRY BLOSSOM



FEMINE
LIGHTNESS

Cozy Glamour

The look is glamorous, and yet oh-so-cosy thanks to the warm tones and golden details. The furniture captivates through its soft, round shapes, like the leaves of the cherry blossom tree.

Feminine Lightness

Light tones, delicate shapes and exquisite materials such as velvet and marble characterise this style and merge with the motif of the cherry blossom for a harmoniously nuanced overall picture.



PURE
NATURE



INDUSTRIAL
COOLNESS

BAMBOO

FUJISAN



COZY
CLEARNESS

Pure Nature

The relationship to nature creates the purest feel-good atmosphere. Lots of light, organic shapes and natural materials transform your practice into a wellness oasis.

Cozy Clearness

Pure and clear, but by no means cold or uninviting. Muted green tones and simple lines offer a sense of calm and convey a feeling of security.



SCANDI
RETRO

Industrial Coolness

An urban self image! Concrete, raw walls... the combination of metal and wood create a modern and cool appearance, perfectly integrating the "Mount Fuji" graphic.

Scandi Retro

Light woods, textiles and delicate shapes in rather muted colours. A style in which everything is exercised in elegant, relaxed restraint and is therefore so inviting.



KAVO STYLE

DESIGN EDITION

Good design is a statement.

That's why we have developed a Design Edition that fits powerfully into a stylish, urban-looking overall concept that evokes modernity and quality. A fascinating symbiosis between innovation, technology and aesthetics that embodies the highest standards of dental treatment.

In the triad of design, technology and an interior concept, the Style Edition exhibits perfection down to the smallest detail. The all-round matt paintwork, which is unusual for treatment units, in combination with a subtly structured film in elegant grey and soft, handmade upholstery are real highlights.

EXCLUSIVELY FOR THE
ESTETICA E70/E80 VISION



The timeless design of the Style Edition is perfectly complemented by the quality of the RELAXline soft upholstery. All three of the current RELAXline colours complement the body of the unit. Naturally, the Design Edition Style can also be combined with your favourite colour from the standard range.



The matt surface of the unit body, combined with the glossy cover, conveys simple elegance.



Comfort backrest
RELAXline Graphite



URBAN POWER

The minimised, straight lines, expansive surfaces in subdued colours and strong materials such as leather, steel and wood give this style power and aplomb.



CLEAN CONTRAST

Contrasts in perfect harmony: the timeless appeal of gently contrasting light and dark colours not only finds perfect interplay in the treatment unit; it also provides an endless basis for a clean, yet cosy practice furnishing concept.



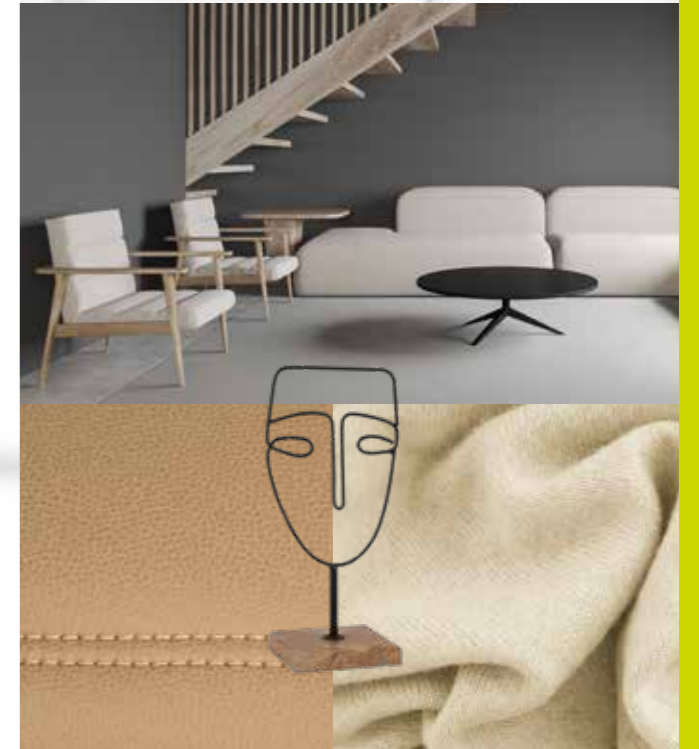
SOPHISTICATED CLASSIC

Light nuances, natural materials and a little patina – this also contributes to a stylish, relaxed atmosphere amid the hustle and bustle of everyday practice.



SIMPLY ELEGANT

Inviting, friendly and homely: a colour scheme in muted hues such as beige, greige and cashmere combines well with this. Perfect in combination with natural materials such as oak, linen and fine wool.



CANDY COLOURS

Be brave and let the floor take centre stage. Pastel tones come together with round shapes. Too playful? No! Materials such as stone and metal provide the necessary clarity.



NATURALLY ELEGANT

This look is elegant, fresh and très chic. Dark nuances create calm, while agave brings a cool freshness into play.



Configurations

Configure your treatment centre online:
www.kavo.com/configurator/

	KaVo ESTETICA E80 Vision	KaVo ESTETICA E70 Vision	KaVo uniQa
Dentist element	T version and cart	T version, S version and cart	T version, TM version, S version and cart
Controls	Touch display	Touch display	Touch display
Instrument holders	6	5 (6 optional)	5 (6 optional)
1 x multi functional handpiece	●	○	○
1 x triple function handpiece	-	●	●
Spray heating for instruments	●	●	○
Set of norm trays	●	●	●
Assistant element			
Controls	Glass touch panel	Glass touch panel	Glass touch panel
Removable instrument holder	●	●	●
Swivelling and height-adjustable	●	●	●
Unit body			
Instrument rinsing	Hygiene centre	Hygiene centre	Hygiene centre
Warm water boiler for tumbler filling	●	●	○
Spittoon bowl	Motorised	Manual/ motorised (o)	Manual
Spittoon bowl	Glass or porcelain	Glass or porcelain	Glass or porcelain
Standard unit body colour	Plain	Plain	Dental white
Patient chair	Suspended chair	Suspended chair	Floor-mounted chair
Motorised horizontal tracking and seat elevation	●	-	-
Progress backrest	●	●	● Optimised
Comfort backrest	●	●	-
2-jointed headrest	with rotary knob	-	●
	with mechanical clamp	-	○
	with pneumatic clamp	●	○
Motorised headrest	○	○	-
Comfort head cushion	○	○	○
Patient communication	Various packages with 19" and 22" screens, intraoral camera and DIAGNOcam		

	KaVo ESTETICA E50 Life	KaVo Primus 1058 Life	KaVo ESTETICA E30
Dentist element	TM version and S version	TM version, S version and cart	TM version and S version
Controls	Keypad with display and MEMOdent function	Keypad with small display and MEMOspeed function	Keypad with small display
Instrument holders	5 (6 optional)	5	5
1 x multi functional handpiece	●	○	-
1 x triple function handpiece	●	○	○
Spray heating for instruments	●	○	-
Set of norm trays	●	○	○
Assistant element			
Controls	Keypad	Keypad	Keypad
Removable instrument holder	-	-	-
Swivelling and height-adjustable	●	●	○
Unit body			
Instrument rinsing	Hygiene attachment	Hygiene attachment	Hygiene attachment
Warm water boiler for tumbler filling	●	○	○
Spittoon bowl	Manual	Manual	-/ Manual (o)
Spittoon bowl	Glass or porcelain	Glass or porcelain	Porcelain
Standard unit body colour	Dental white	Dental white	Dental white
Patient chair	Floor-mounted chair	Floor-mounted chair	Floor-mounted chair
Motorised horizontal tracking and seat elevation	-	-	-
Progress backrest	●	●	x
Comfort backrest	COMPACTchair	COMPACTchair	-
2-jointed headrest	with rotary knob	-	●
	with mechanical clamp	●	○
	with pneumatic clamp	-	-
Motorised headrest	-	-	-
Comfort head cushion	○	○	-
Patient communication	Various packages with 19" and 22" screens, intraoral camera and DIAGNOcam		

Please note: Print colours do not reproduce a surface that is true to the colour. (Request a KaVo colour card!)

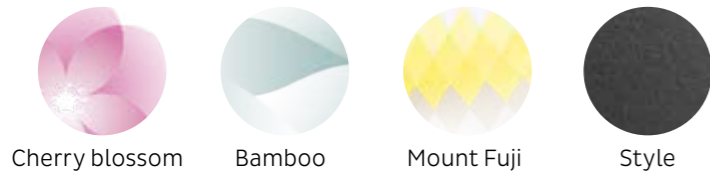
Varnish colours metallic



Varnish colours plain



Design Edition



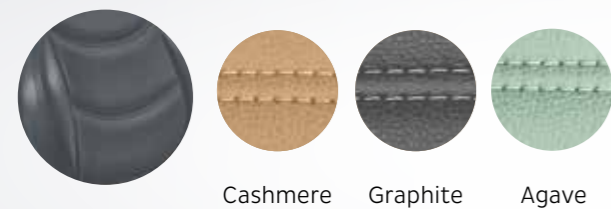
Upholstery colours



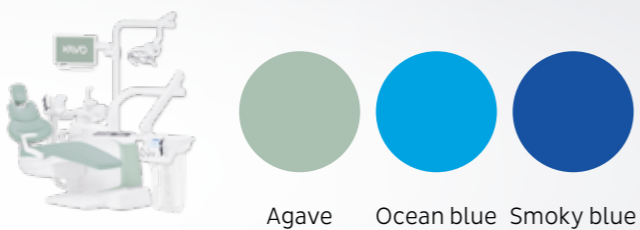
Upholstery colours: exclusively for KaVo uniQa



RELAXline soft upholstery



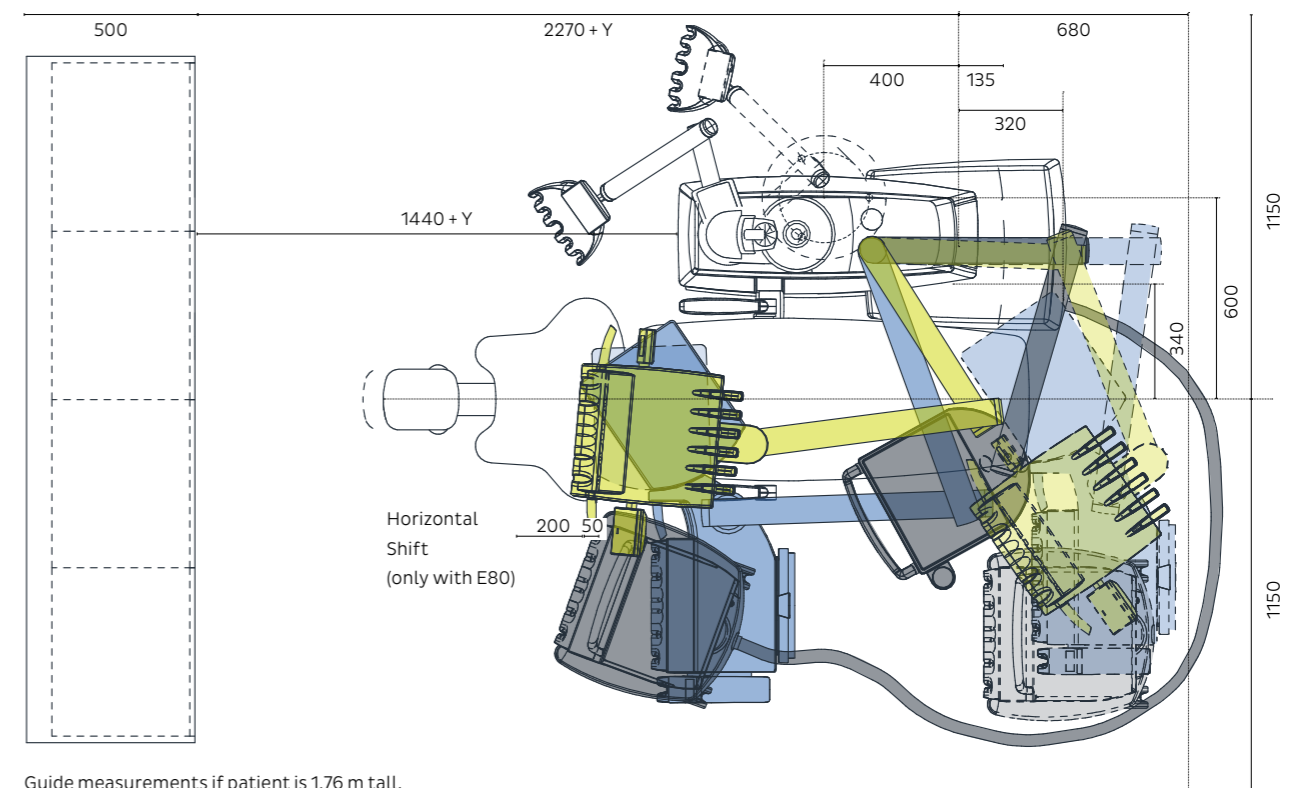
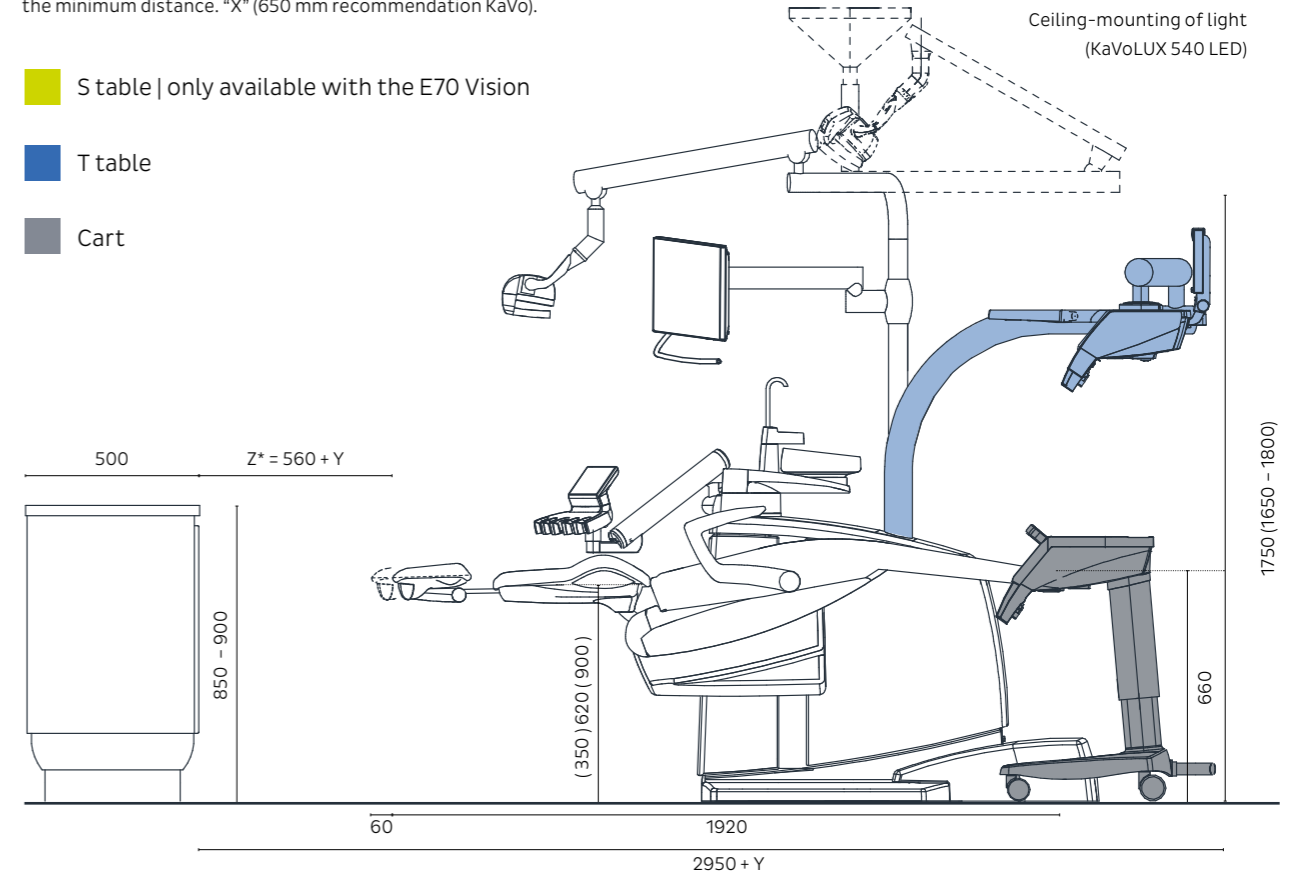
Agave/Blue Line Edition



KaVo ESTETICA E70/E80 Vision

* On consultation with the dentist measurement "Z" can be increased by amount "Y" if required. The measurement of 560 mm indicates the minimum distance. "X" (650 mm recommendation KaVo).

- S table | only available with the E70 Vision
- T table
- Cart

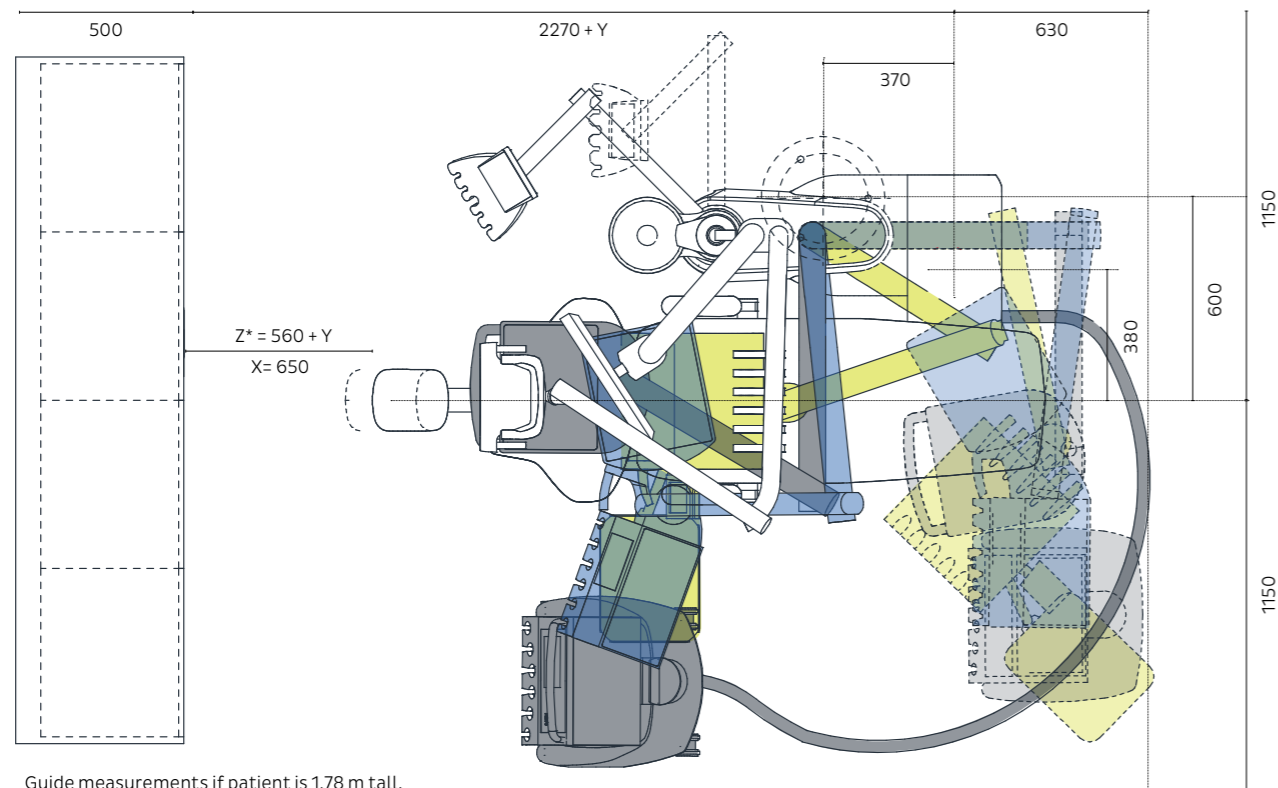
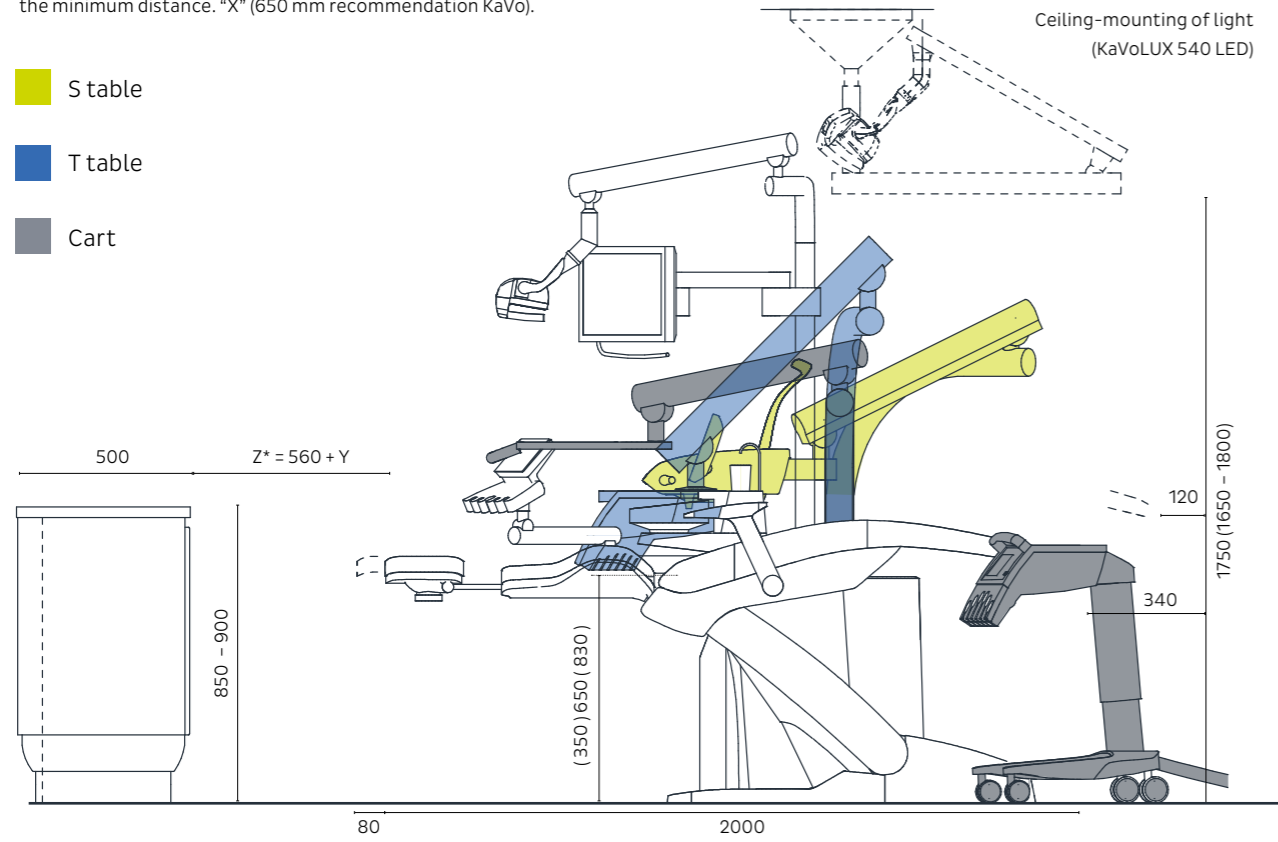


Guide measurements if patient is 1,76 m tall.

KaVo uniQa

* On consultation with the dentist measurement "Z" can be increased by amount "Y" if required. The measurement of 560 mm indicates the minimum distance. "X" (650 mm recommendation KaVo).

- S table
- T table
- Cart

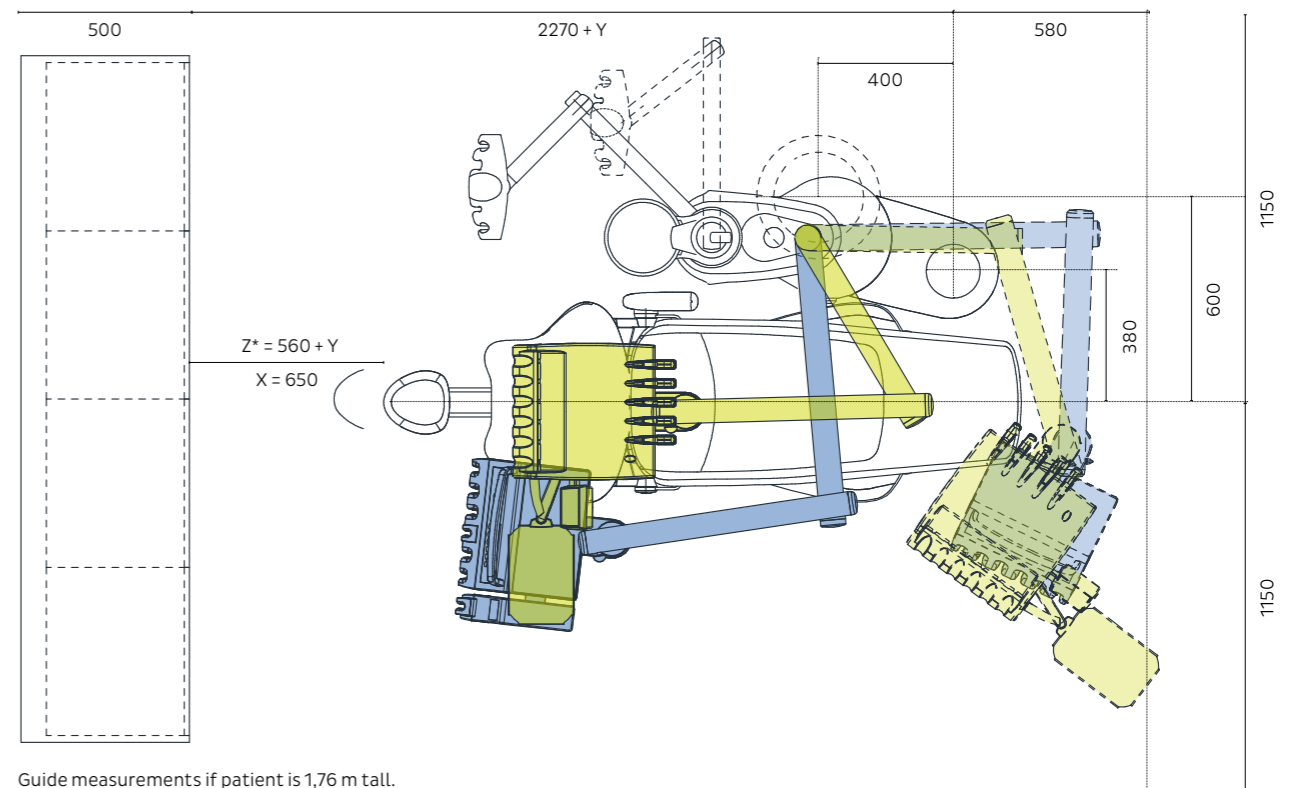
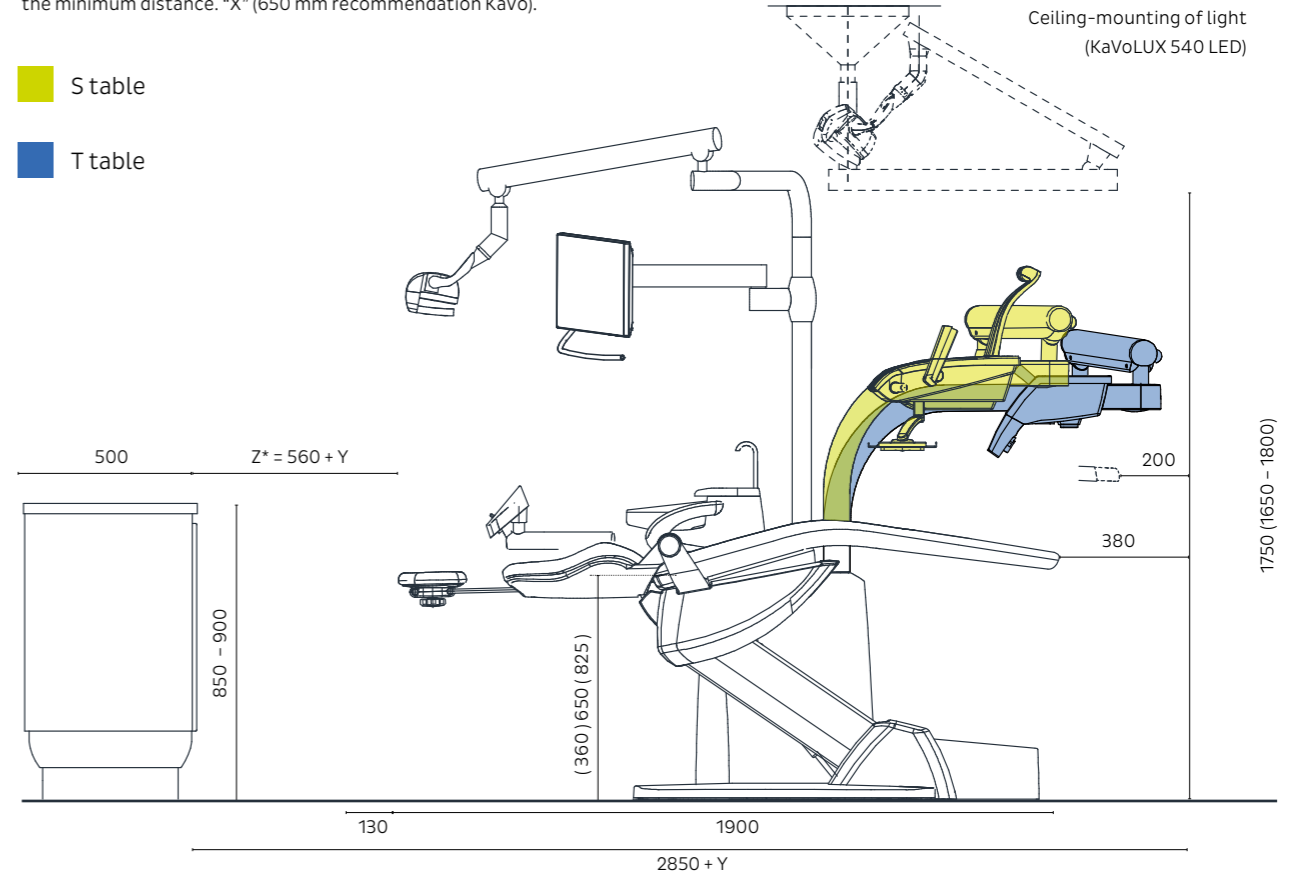


Guide measurements if patient is 1,78 m tall.

KaVo ESTETICA E50 Life

* On consultation with the dentist measurement "Z" can be increased by amount "Y" if required. The measurement of 560 mm indicates the minimum distance. "X" (650 mm recommendation KaVo).

- S table
- T table

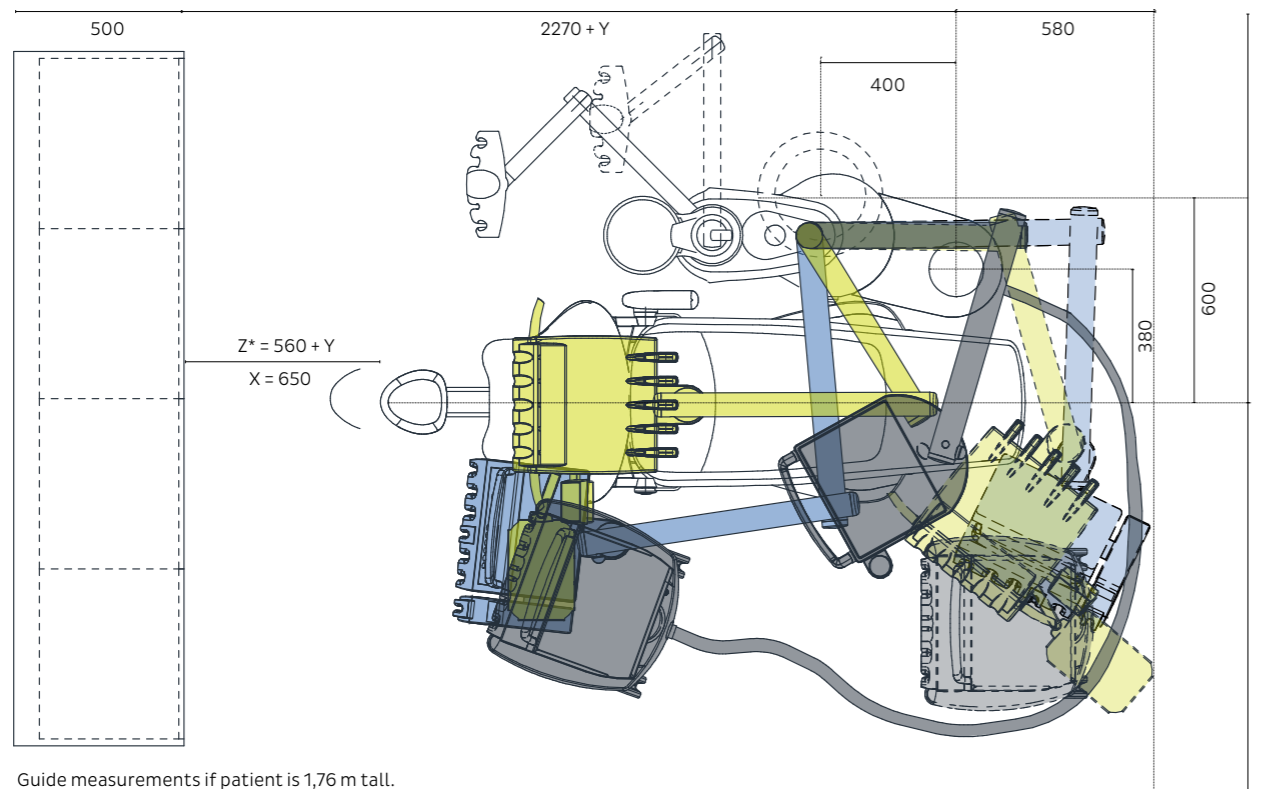
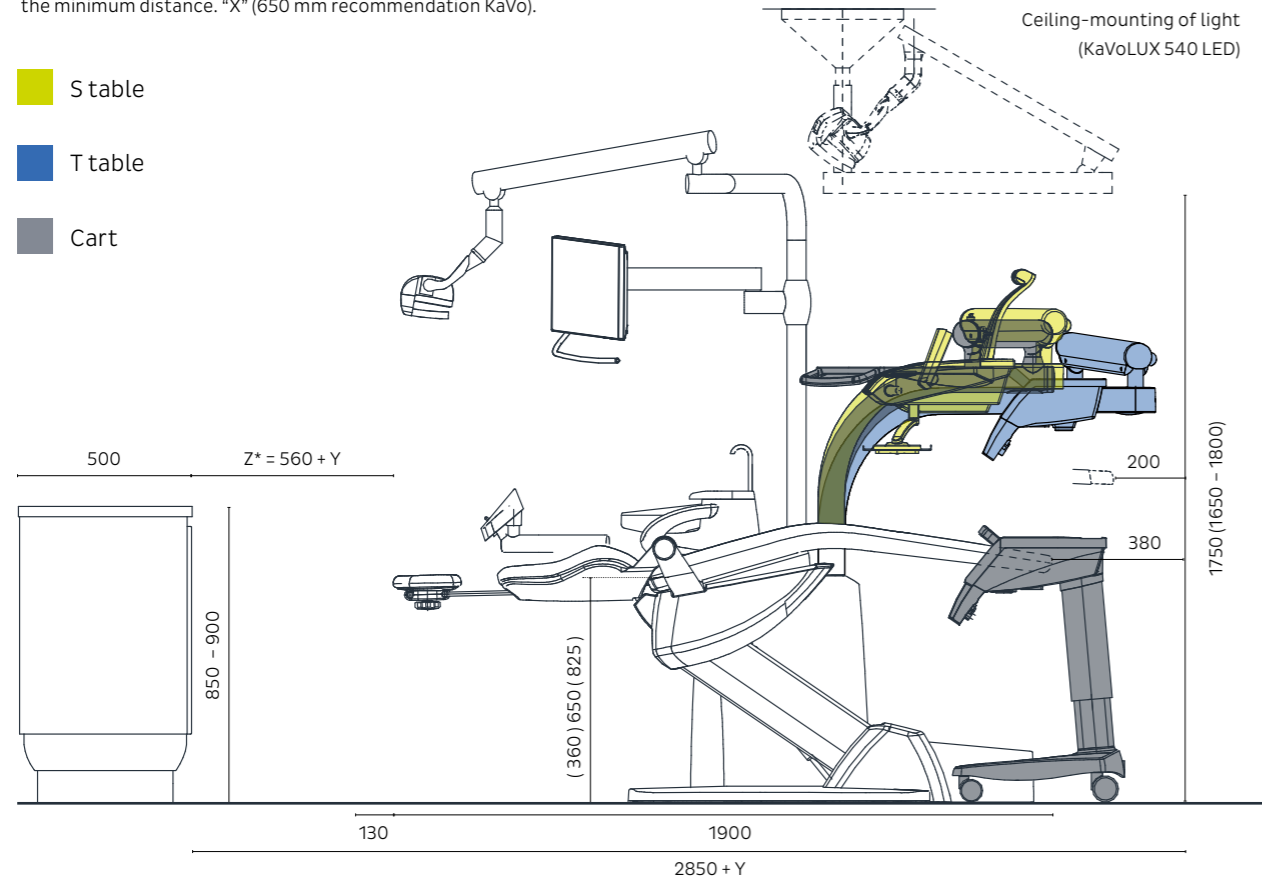


Guide measurements if patient is 1,76 m tall.

KaVo Primus 1058 Life

* On consultation with the dentist measurement "Z" can be increased by amount "Y" if required. The measurement of 560 mm indicates the minimum distance. "X" (650 mm recommendation KaVo).

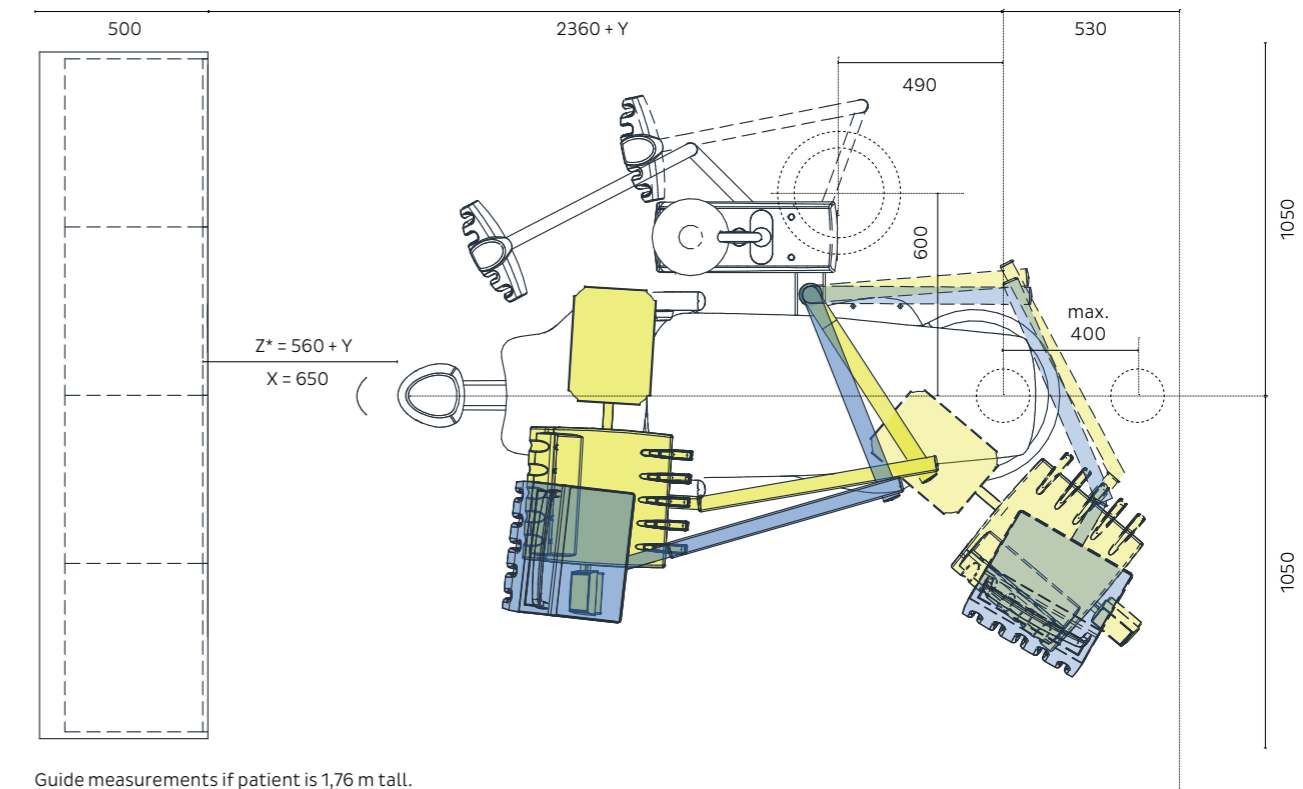
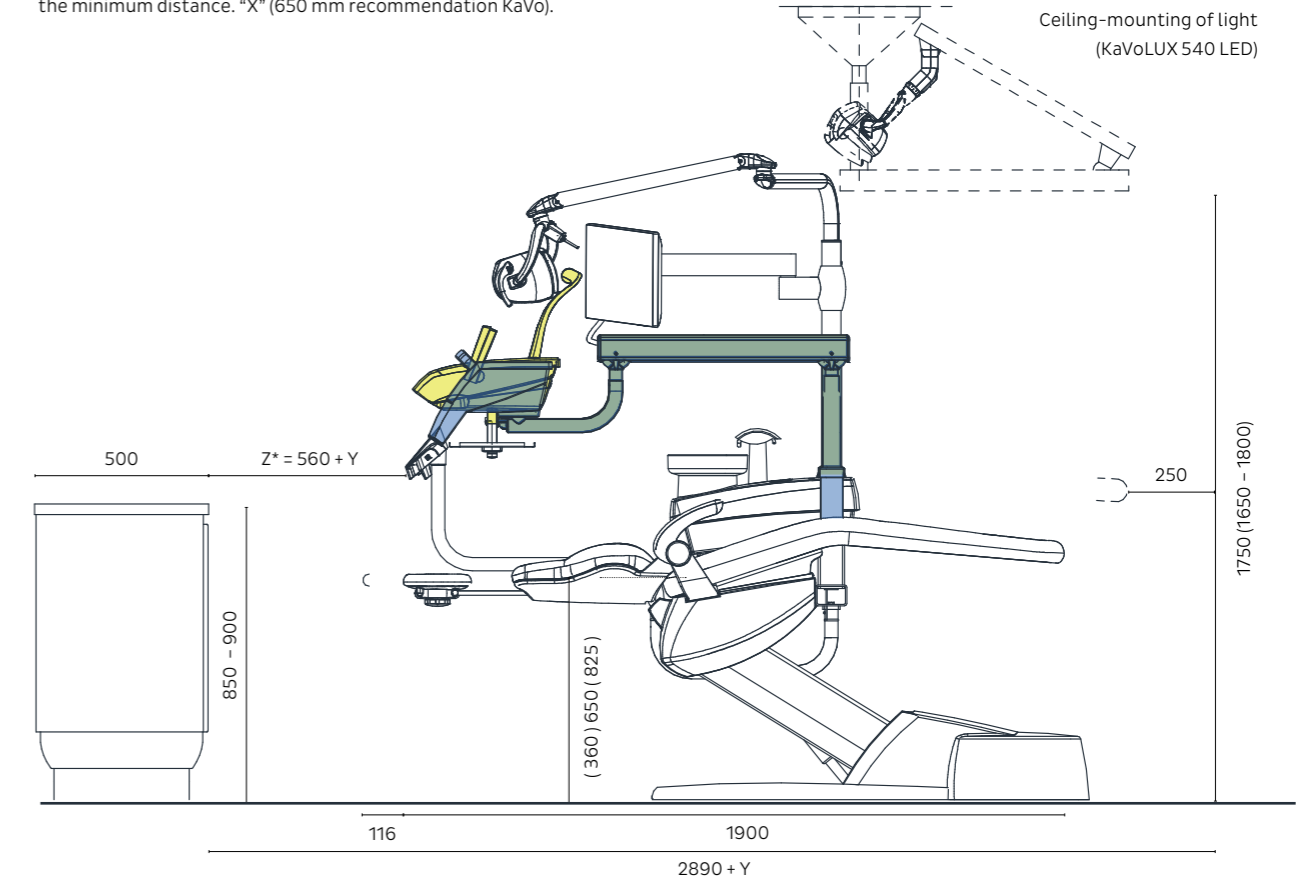
- S table
- T table
- Cart



Guide measurements if patient is 1,76 m tall.

KaVo ESTETICA E30

* On consultation with the dentist measurement "Z" can be increased by amount "Y" if required. The measurement of 560 mm indicates the minimum distance. "X" (650 mm recommendation KaVo).



Guide measurements if patient is 1,76 m tall.

SERVICE

FOR A SMOOTH
DAILY PRACTICE

To ensure that a KaVo product remains a KaVo product, proper care, regular maintenance and the supply of spare parts in the event of service call play a major role. We are happy to tackle this task together with our certified service partners, meaning that you can concentrate fully on your patients in your daily practice.



1,200

employees of our certified specialist dealers are trained at the KaVo Campus in Biberach every year.

That's how we ensure that your service technician can carry out all maintenance and service work efficiently and that your investment is optimally protected.



34 SPECIALISTS

At KaVo, our dental dealers support you with a technical hotline, technical documentation and comprehensive training. For optimal and fast service.

KaVo certified repair partner

Because nothing is closer to our hearts than quality: while the installation of third-party parts can impair the function and thus the treatment and given that the KaVo guarantee expires, your KaVo certified repair partner works with KaVo original spare parts. One of them will be located near you and will be your go-to person for KaVo.

www.kavo.com/kavo-dealers-worldwide

KaVo Maintenance: Offering you safety during routine activities at your dental practice

As a medical device manufacturer, we are obliged to stipulate maintenance activities, technical safety inspections and integrated unit tests. This approach serves two purposes: it ensures functional safety and prevents damage, health hazards and legal risks. Regular maintenance also prevents expensive downtimes and helps you to preserve the value of your unit.



KaVo recommends the annual maintenance service for your treatment units to ensure continuous operational readiness, safety and value preservation of the KaVo product. The annual maintenance service also helps to comply with the specifications, standards and laws in your country. The international standard

IEC (DIN EN) 62353 is used to ensure electrical functional safety. It also demands that the functional safety of all technical application and safety-relevant functions are checked and repaired, if required. Please observe the statutory provisions in your country.

Dental practice operators are responsible for:

- Conducting the safety check in accordance with IEC 62353
- Amalgam separator tests
- Compliance with hygiene standards

These requirements can be met during the scope of maintenance carried out by KaVo or the certified specialised dealers.

The following individuals are authorised to carry out repairs and maintenance:

- Technicians from the KaVo branch who have received appropriate product training.
- Technicians from KaVo authorised dealers who have been specially trained by KaVo.

All certified service technicians are also obliged to only use original KaVo spare parts.



35,000

treatments and

20,000

operating hours will be performed in a treatment unit over an average of

12 years.

During this time, approx.

100,000

litres of water are used.

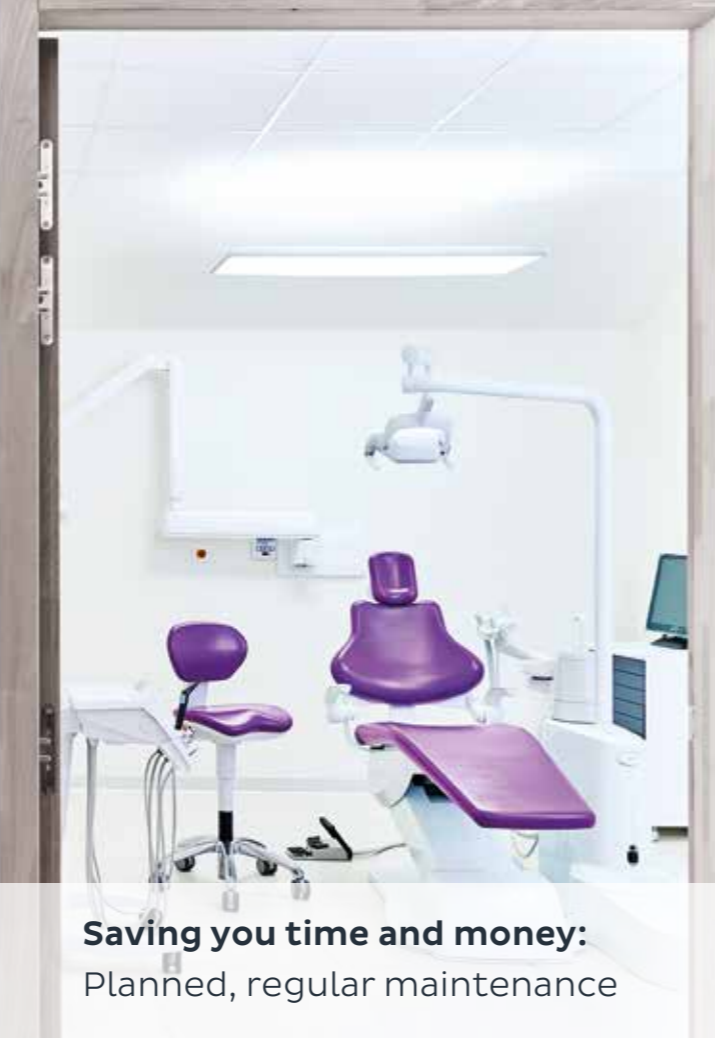
Source: KaVo empirical values

Maintenance components	Benefits for the dental practice		
	Functional safety	Safety of dentists, dental practice team and patients	Required by law
Testing of all important functions, e.g. hygiene functions, safety switch, etc.	o	o	
Cleaning the suction system, Aquamat and selection unit Replacement of wearing parts	o	o	
Replacement of wearing parts in the water block Inspection for leaks	o	o	
Inspection of O-rings on the dentist element and assistant element, hoses and pressures Replacement of wearing parts	o	o	
Amalgam separator test	o	o	o
Safety test	o	o	o

- Functional safety
- Safety of dentists, dental practice team and patients
- Required by law



Costs time and money:
Waiting for service



Saving you time and money:
Planned, regular maintenance



For more details:
<https://www.kavo.com/accessories-upgrades/protect-service-package-protect>

The best way to prevent costly downtime:
The **KaVo maintenance kit** for your operational safety

The certified technician and the KaVo maintenance kit are an unbeatable team when it comes to ensuring the operational safety of your treatment unit.

The kit supports:

- Safety: Replacement of necessary parts with KaVo original parts.
- Efficiency: Systematic workflow of maintenance activities



For more details:
<https://www.kavo.com/accessories-upgrades/regular-preventive-maintenance-protect>

Saving you time and money:
The extended warranty offered by the **KaVo Service Protect+ package**

The Service Protect+ package offers you the security and support that you need to ensure that you are able to run your dental practice smoothly.



Package contents

Additional two-year warranty after the statutory warranty period of 12 months has expired, free spare parts if required. Consumables and wearing parts, labour and travel expenses are not included.



Average annual requirement (12 x 1 litre) of DEKASEPTOL disinfectant and cleaning agent for dental suction systems. Average annual requirement (2 x 6 litres) OXYGENAL 6 for dental treatment water germ reduction.



A footrest protector, to provide simple and aesthetic protection of the upholstery

Benefits:

- Ensures the legally prescribed levels of hygiene and functional safety
- Reduces downtimes and unplanned costs, which in turn ensures investment and planning security

Prerequisites

May be purchased up to three months after purchasing a treatment unit The extended warranty General Terms and Conditions can be obtained via your dental dealer. The prescribed annual maintenance is a mandatory condition of purchase.

Register

KaVo	Seite	KaVo	Seite
Backrest		Inside the dental practice	28
Comfort	73	INTRA LUX KL 703 LED	59
Progress	73		
Centro carrier system	71	KaVoLUX 540 LED	70
Certified repair partner	91	MAIA LED	70
CONEXIO	68	Maintenance kit	94
CONNECTbase	66	MASTERmatic	59
DEKASEPTOL Gel	47		
Design Edition	74	OXYGENAL 6	47
Bamboo	76		
Cherry Blossom	75	PHYSIO	60
Fujisan	77	PiezoLED	59
Style	78	Primus 1058 Life	24
DIAGNOcam	64		
DIAGNOcam Vision Full HD	62	RELAXline soft upholstery	72
ERGOcam One	65	Service Protect+	95
ESTETICA E30	26	SONICflex	59
ESTETICA E50 Life	22		
ESTETICA E70 Vision	18	uniQa	20
ESTETICA E80 Vision	14	Upholstery	72
Foot control	46		
HD screen	65		
Headrest	73		