



reddot award 2019
best of the best

Signo T500



Thinking ahead. Focused on life.

Pole Position

Perfect lying comfort for the patient

A prerequisite for successful patient treatment is first and foremost relaxed patients, who place themselves trustingly in your hands. And this is precisely our objective: patients enjoy perfect lying comfort the entire time on the ergonomically shaped chair of the Signo T500 treatment unit. The innovative design guarantees a stable posture in all positions and ensures gentle body pressure distribution.

Perfect workflow for dentists

Every function of the esthetically appealing treatment unit has been comprehensively designed, right down to the smallest detail – to enable an effective, seamless procedure throughout treatment. Both dentist and chair assistant are optimally and comfortably supported by its technical sophistication, allowing them to focus entirely on the patient.





Refinements are the key



Comfortable entry, easy exit

Whether unsure children or elderly patients with restricted mobility: everyone can be seated comfortably on this chair and stand up again without any effort – thanks to the extremely minimal seating height of only 400 mm. On the other hand, the highest position of 800 mm allows dentists to assume a comfortable, back-friendly posture when treating while standing.



Gentle movement, quiet hydraulics

The hydraulic height adjustment ensures uniformly smooth and slow start and stop procedures, which glide the chair gently up or down. Even when inclining the backrest, the movement is virtually imperceptible, which helps to engender a quiet, relaxed environment. If required, the speed can also be changed from standard to low-speed mode.



Rollable headrest (optional)

The ergonomically shaped headrest can be moved both in and out, as well as tipped to the side – so that you can provide the perfect, comfortable resting position of the head for each patient. While the gentle transition from one position to another is virtually imperceptible for the patient, a light rocking movement gently cushions each head movement.



First-class comfort



Variably adaptable headrest

The double-hinged support adapts to natural neck movements and adjusts exactly both in length and inclination to the requirements of the respective patient. This ensures a secure, stable head position, particularly in the case of elderly people and children. The locking arm allows extremely fine adjustment of the double-hinge support position – exactly as required to allow you to provide the best treatment.



Extendable backrest (optional)

To achieve optimum treatment outcomes it is important that the patient can rest comfortably in the treatment position, even over a longer period. The extendable backrest, which can be individually adapted to suit the different sizes of your patients, provides stability and wellbeing for every size of body.



Swivel-mounted cuspidor (optional)

An impressive feature of the Signo T500 is its esthetically appealing, electromotively operated cuspidor. At the press of a button, it changes its position in a quiet, gliding movement. This makes mouth rinsing a particularly pleasant experience for your patients.



Synchronized tipping mechanism

As soon as the backrest inclines forward or back, the seat also tips in a synchronized movement in the same direction. This mechanism prevents unfavorable movement of the patient's back. Instead, the sensitive movement along the body helps to provide an ideal lying position – and therefore a relaxed environment.

Benchmark in treatment comfort



Luna Vue TS with touchless sensor (optional)

The integrated Luna Vue TS OP light can be switched on and off contact-free as required using the adjustable touchless sensors. The handles of the powerful OP light can be detached in the practice for autoclaving – to ensure optimum hygiene.



Luna Vue TL with shadow reduction (optional)

In this version of the OP light, twelve powerful LEDs radiate from different directions and angles, guaranteeing a bright, shadow-free treatment site. You can also show the patient the situation in the oral cavity quickly and easily using the optionally integrated EL mirror.



Electrically adjustable headrest (optional)

The headrest can be set individually as required, depending on the treatment situation, using the easy-to-operate footswitch, so that you don't have to put down your instruments. An additional switch can optionally be attached to the backrest.



One footswitch – many functions

The multifunctional footswitch not only controls the treatment chair but also important instrument functions. Grouping of these functions to simple foot movements facilitates your working routine and enables you to concentrate on the essential – the patient's well-being.

Function meets esthetics

signo T 500

Excellence for experts

Curtain-up for the new Signo T500. It is a real statement of design and reliability. The consequent combination of these two requirements perfectly expresses the product philosophy of Morita:

- Maximum functionality.
- Timeless design.
- High-end manufacturing quality.
- Maximum versatility.
- Durability, reliability and value stability.

A sophisticated selection of colors and high-quality materials provide an elegant finish. The Signo T500 was developed in collaboration with product designers of the renowned Studio F.A. Porsche.





Signo T500 Models



Floor-mounted (FMT)



Over-the-patient (OTP)



Cart

Everything at a glance, everything in control

User-friendly operator panel

The clearly designed operator panel provides the optimum requirements for error-free, intuitive working. This is ensured by the backlit, intelligently positioned keys, which provide haptic feedback each time they are pressed.



Control panel with touch display (optional)

On request, you can also equip the treatment unit with a generously proportioned touch display that also provides support when measuring the length of root canals.



Full transparency

Do you greatly value instructive patient education? Then you can equip the Signo T500 with an extra monitor on the dentist's element – for X-rays, videos etc.



Ingenious and low-maintenance



Integrated hose rinsing system – flushing (optional)

This feature removes residual water from the water-conducting hoses of the treatment unit; the relevant adapter can be compactly stored in the unit.



Flushing system for suction hoses

The spray mist and saliva ejector hoses are cleaned quickly and hygienically using special cleaning agents, thanks to the flushing system integrated in the unit.



Suction filter

Cleverly designed: as the suction filter has been fitted to the easily accessible back of the assistant's element, routine daily cleaning is incredibly simple.



STERAPORE™ filter

The filter cartridge for the fresh water supply of the Signo T500 is a porous hollow-fiber membrane. It also captures – in addition to virtually all general bacteria – Escherichia coli as well as fine particles and contaminants in the water cycle. A filter cartridge is also optionally available for the compressed air supply.



Practical and hygienic



Detachable instrument holder on the dentist's element

The six instrument holders can be easily detached – making cleaning much easier; the inserts can also be autoclaved.



Detachable tray handle on the dentist's element

Furthermore, the clever design of the silicone handle ensures maximum hygiene down to the last detail. The handle – like the instrument holders – is also easily detachable.



Detachable instrument holders on the assistant's element

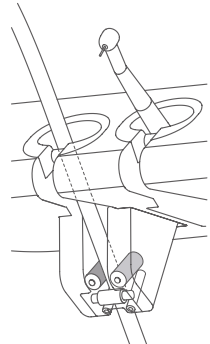
All instrument holders on the assistant's element can also be detached by the user for cleaning or disinfection.



Detachable OP light handle

As the OP light is frequently adjusted during treatment, Morita developers have also provided the Luna Vue TS with a detachable, autoclavable handle.

Tailored for efficiency



Hose locking mechanism

Always in the right position

The instrument holder with its six compartments was designed to enable both efficient and stress-free treatment for the operator – because the holder can be swiveled independently from the tray. In other words: regardless of which position you assume at any moment: your natural movement sequences will be optimally supported at all times. In addition, the integrated hose locking mechanism provides perceptible relief of the wrist (standard on the first turbine terminal).



Treatment chairs

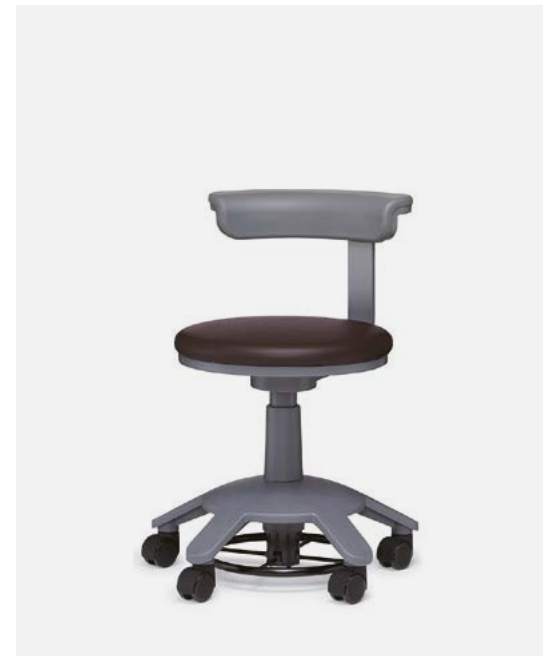


Patient couch (contour)



Patient chair (FT)

Dentist chair



Dentist chair T2

Instantly moves you into the perfect position: the T2 dentist chair has a freely rotatable arm/back-rest combination.

Upholstery colors



Lamb (T-WH)



Clay (T-BE)



Caribou (T-BR)



Black (T-BK)



Deep Red (T-RE)



Soleil (T-OR)



Night Sky (T-BL)



Aloe (T-GR)

Equipment



Three-way spray
WS100-LD



Ultrasonic scaler
Solfy F (LED)
Newtron (LED)



EL mirror



Small tray and paper holder



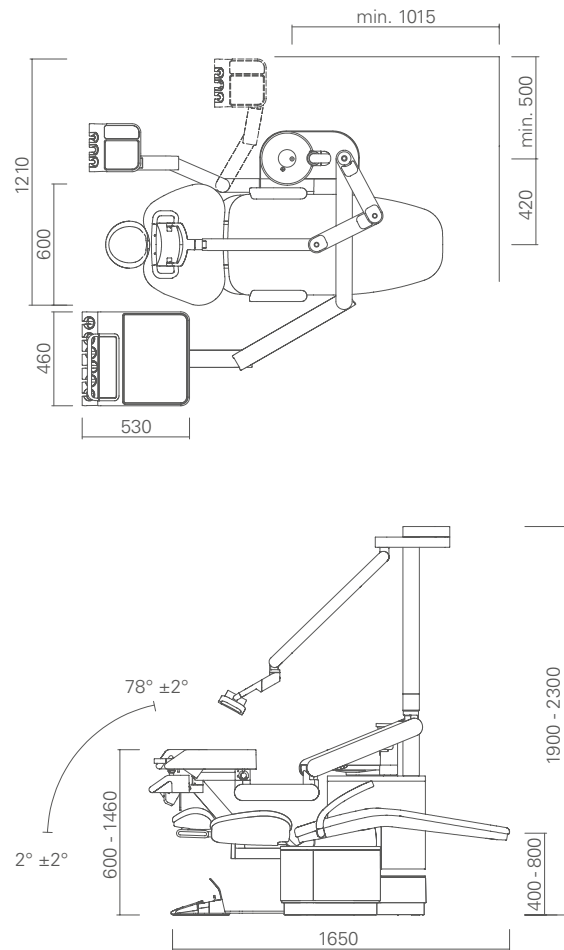
Mouse-tray



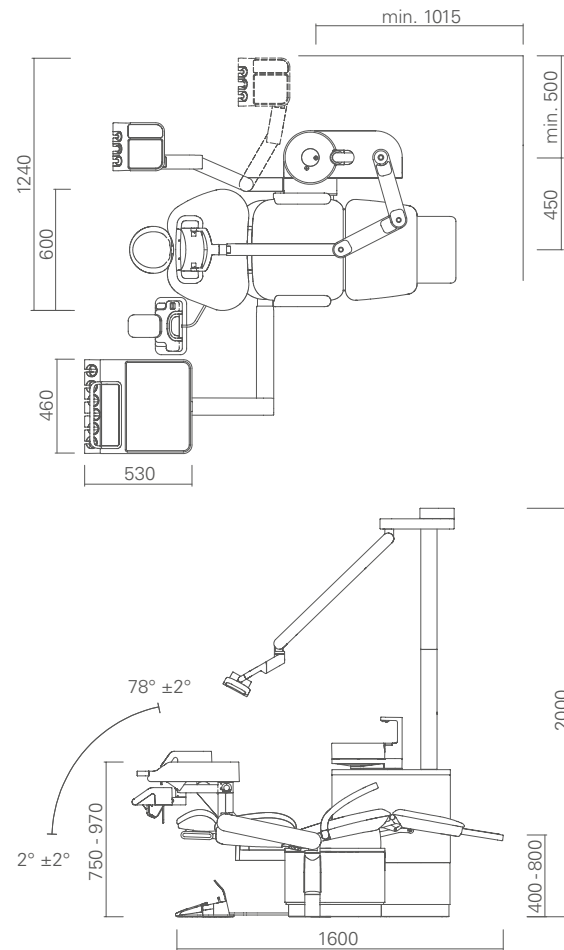
Armrest on the working side

Technical data

Over-the-patient version (OTP)
Contour couch



Floor-mounted version (FMT)
FT Foot element





Distribution by
J. MORITA EUROPE GMBH
Justus-von-Liebig-Straße 27a
63128 Dietzenbach
Germany
T +49. 6074. 836 0, F +49. 6074. 836 299
www.morita.com/europe

Development and Manufacturing by
J. MORITA TOKYO MFG. CORP.
7129 Komuro Ina-machi,
Kitaadachi-gun, Saitama
362-0806 Japan
Morita Global Site: www.morita.com
Further product information at: www.dental-plaza.com

It is essential to read the package insert and operating instructions before using the product.
Please note that specifications and appearance are subject to change without prior notice in the interest of product improvement.
Company names and product names referred to in this catalogue are trademarks or registered trademarks of the J. MORITA CORP. and J. MORITA TOKYO MFG. CORP.
As the color of the product is printed, it can differ from the actual color.
Some catalog images contain options.

PUB.NO.M5072.1.1804.12.000IHY.KO/FP 208550291

Subject to technical changes and errors.
JME EN 0219 *2.

Diagnostic and Imaging Equipment

Treatment Units

Handpieces and Instruments

Endodontic Systems

Laser Equipment

Laboratory Devices

Educational and Training Systems

Auxiliaries