

ORTHO PANTOMOGRAPH™ OP 2D

Quality and design



ORTHOPANTOMOGRAPH OP 2D

OP 2D is a digital panoramic X-ray unit that combines distinctive design and reliable quality with all essential tools for standard panoramic imaging needs. OP 2D is part of the well-known ORTHOPANTOMOGRAPH™ product family.



OP 2D

All the essentials included

- Stable 5-point patient positioning
- Optimal imaging geometry
- Adjustable anterior layer position with 3 positioning lights
- Powerful high-frequency X-ray tubehead design
- High resolution CCD imaging sensor
- V-shaped collimation optimizes image quality
- Versatile software tools to enhance diagnostic capabilities



One-of-a-kind image quality

Sharp and detailed images are enabled by a powerful tubehead and wide range of exposure settings that fit every patient size. A special V-shaped radiation beam is essential to overcome anatomical differences between the patients. Utilizing the OP 2D segmented pan feature enables capture of the area of interest with specific panoramic regions, while lowering patient radiation dose.



The standard panoramic imaging program provides clear definition of the dental anatomy including TMJs—in only 10 seconds.



User-friendly workflow

Just 2 selections need to be made

- Choose the imaging program
- Select patient size

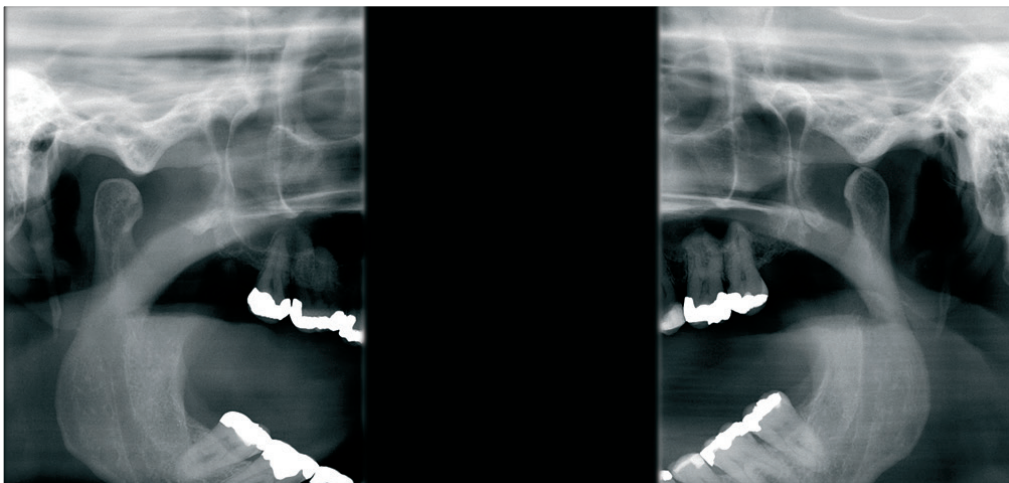
Straightforward operation makes taking the panoramic image fast and easy. An integrated 5.7 inch touchscreen with remarkably user-friendly navigation is extremely simple to use.

Patient positioning

Intuitive 5-point patient positioning system holds the patient still during the imaging procedure to reduce movement artifacts. Three laser positioning lights make positioning accurate. The sharp layer is easily adjustable for every patient.



The pediatric panoramic imaging program provides a reduced imaging area for pediatric and small patients.



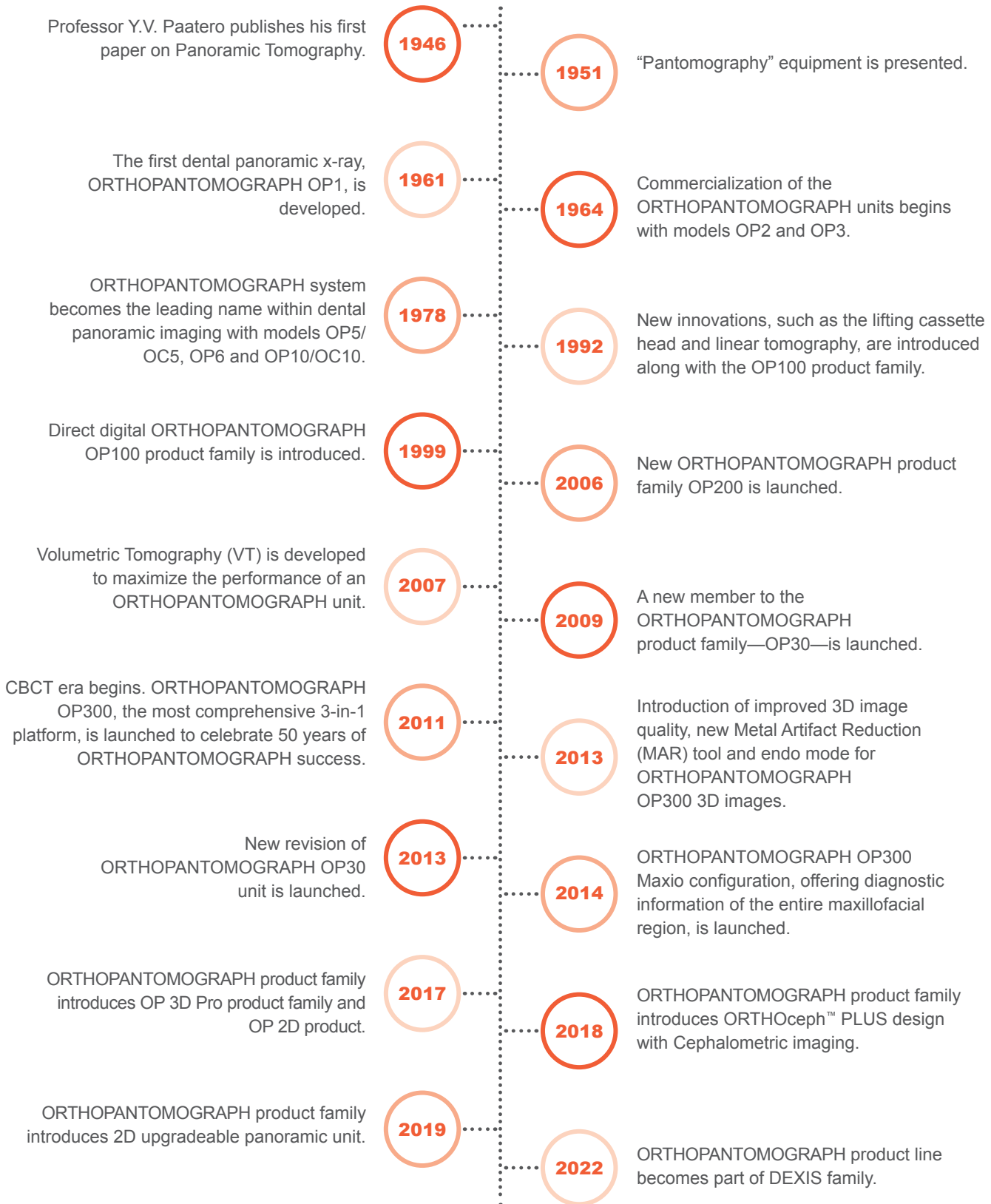
Lateral view from temporomandibular joint area with mouth closed or open.



The bitewing view is a quick and easy alternative for intraoral bitewing imaging.

Leading the way through the decades

For more than 60 years, the name of ORTHOPANTOMOGRAPH™ system has stood for ultimate reliability and clinically correct maxillofacial imaging.



Technical specifications

Focal Spot	0.5mm IEC 60336/1993
Tube Voltage	63–81 kV
Tube Current	6–12 mA with 220-240 VAC (tube current limited with 100-125 VAC)
Nominal Voltage	100–125 VAC or 220–240 VAC, 50/60Hz
HU Capacity	30 kJ, 42 000 HU
Minimum Total Filtration	2.6 mm Al
Wheelchair accessible	Yes

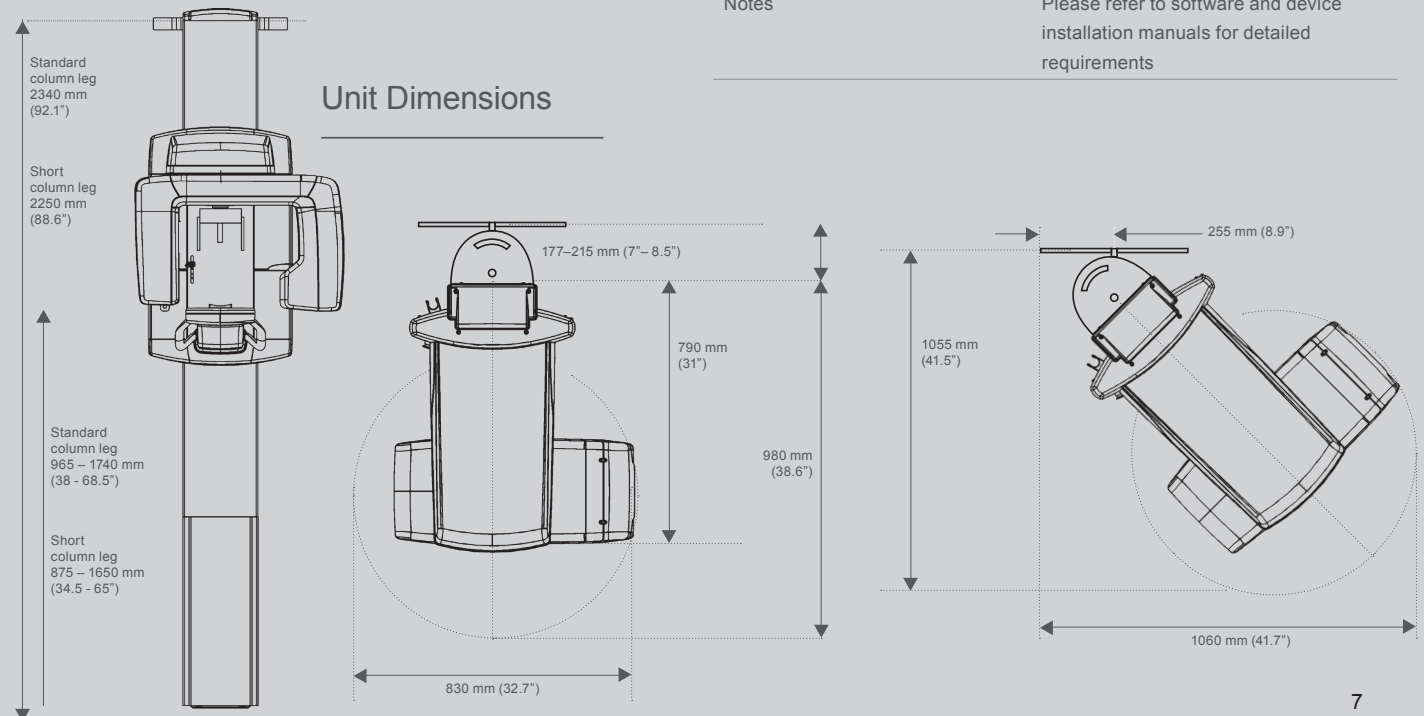
Panoramic	
Image Detector	CCD
Sensor Pixel Size	48 µm
Image Pixel Size	96 µm
Image Field Height	147.5 mm
Exposure Time	5-12 s
Imaging Programs	Standard, Pediatric, Segmented, TMJ Lateral, Bitewing
Weight	120 kg/265 lbs

Minimum System Requirements for Acquisition Workstation

CPU (processor)	Intel Core i3, 2-cores or more
GPU (graphics processing unit)	No special requirements
RAM (memory)	4 GB or more
Storage (hard disk)	8 GB free disk space, 100 GB or more recommended, plus backup
Network	Gigabit Ethernet 1000 Mb/s or Fast Ethernet 100 Mb/s
Operating System	Windows 10 Pro or Enterprise, 64-bit recommended, 32-bit supported Windows 8.1 Pro or Enterprise, 64-bit recommended, 32-bit supported Windows 7 Professional, Ultimate or Enterprise with SP1, 64-bit recommended, 32-bit supported
Display	1680 x 1050 resolution higher, at least 300 cd/m2 brightness for typical room lighting, native contrast ratio 100:1 or better, 8-bit panel strongly recommended
Other	Open CL 1.1 support DVD-ROM drive Anti-virus software
Notes	Please refer to software and device installation manuals for detailed requirements



Unit Dimensions



About DEXIS

DEXIS innovation is nothing new. After all, our recognized, trusted products are built on over 200 years of dental imaging expertise, combining leading brands including i-CAT™, Gendex™, Instrumentarium, SOREDEX™, and NOMAD™ Pro 2. Today, over 150,000 offices trust DEXIS products around the world.

DEXIS now includes a full portfolio of products including CBCT and Intraoral scanners, our legacy digital sensors and handheld x-ray system and DTX Studio™ Clinic, the next generation software. This complete digital solution works seamlessly together as well as with other systems to enhance the way you diagnose, plan, and treat patients in your practice. Elevate your patient outcomes with greater confidence — across the patient journey. With DEXIS proven solutions, you'll be able to treat patients from consultation to diagnosis to treatment to surgery and deliver appliances, all with the efficiency that you come to expect with the DEXIS brand you already know.

DEXIS | 450 Commerce Drive | Quakertown PA 18951 | USA | 1-888-88-DEXIS | DEXIS.com

The products, equipment and services illustrated and described in this brochure reflect knowledge at the time of printing. Dental Imaging Technologies Corporation accepts no liability for any deviation from the illustrations in terms of color or shape, or any errors or print errors, and retains the right to make changes to the brochure at any time. Full or partial reprinting is only permitted with permission from Dental Imaging Technologies Corporation. For indications for use, please visit: DEXIS.com

Dental Imaging Technologies Corporation reserves the right to make changes to specifications and features shown herein, or to discontinue the product described at any time without notice or obligation. Contact your local authorized representative for the most current information. Manufactured by Palodex Group OY, Nahkelantie 160, 04300 Tuusula, Finland.
© Dental Imaging Technologies Corporation. All rights reserved. DX00305/RevA